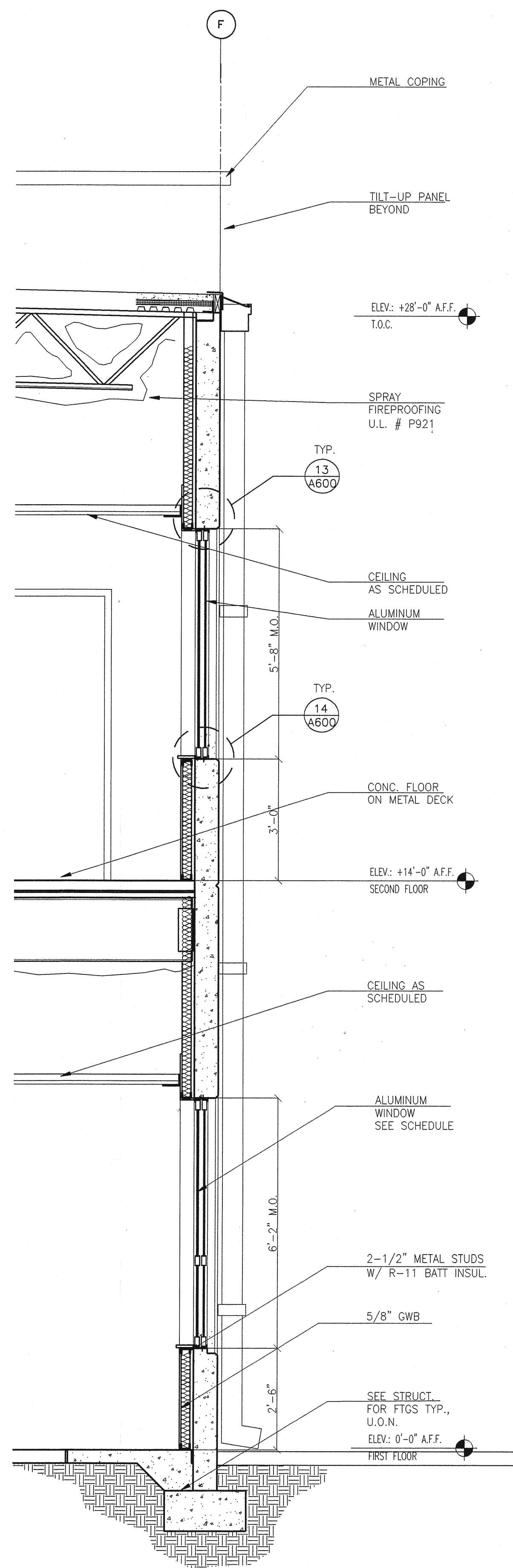
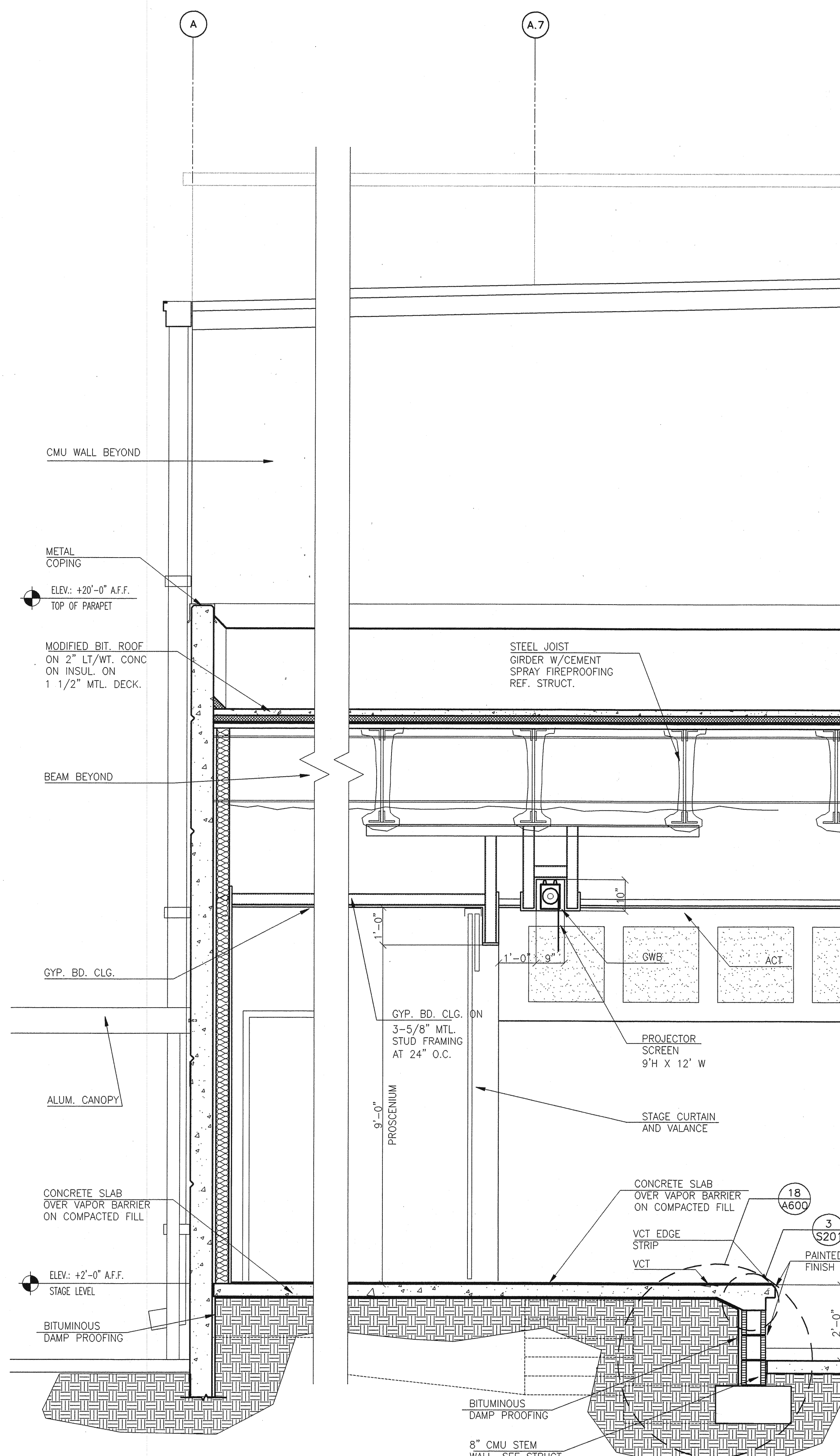


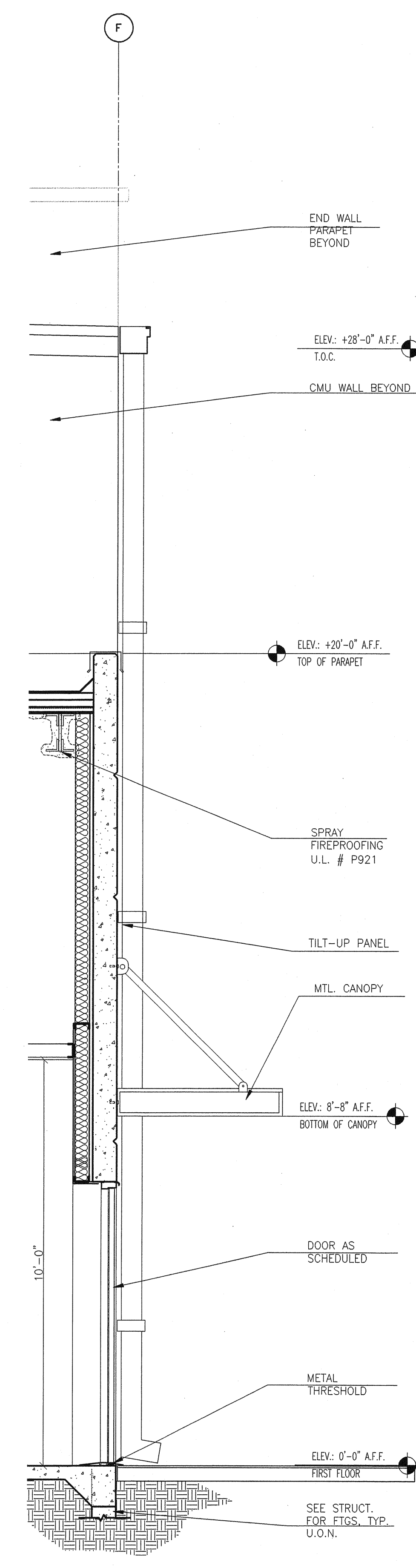
1/2"=1'-0" 1 WALL SECTION AT E.J.



1/2"=1'-0" 2 WALL SECTION AT EXTERIOR



1/2"=1'-0" 3 WALL SECTION THRU STAGE AREA



1/2"=1'-0" 4 EXT. WALL SECTION



SHEET TITLE

**WALL SECTIONS**

SHEET NUMBER

**A-410**

**PHASE III  
100% CONST. DOCUM'T**