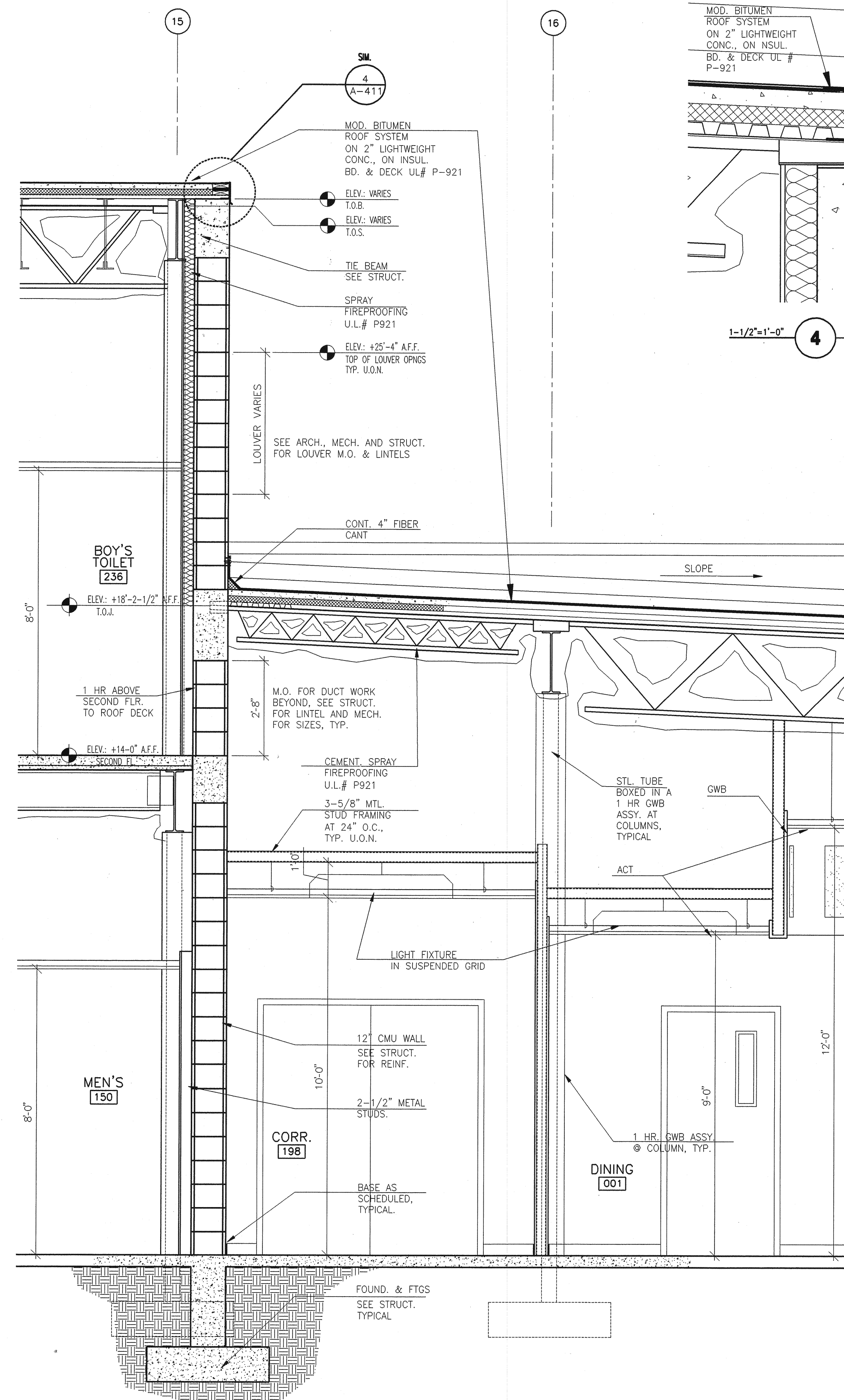
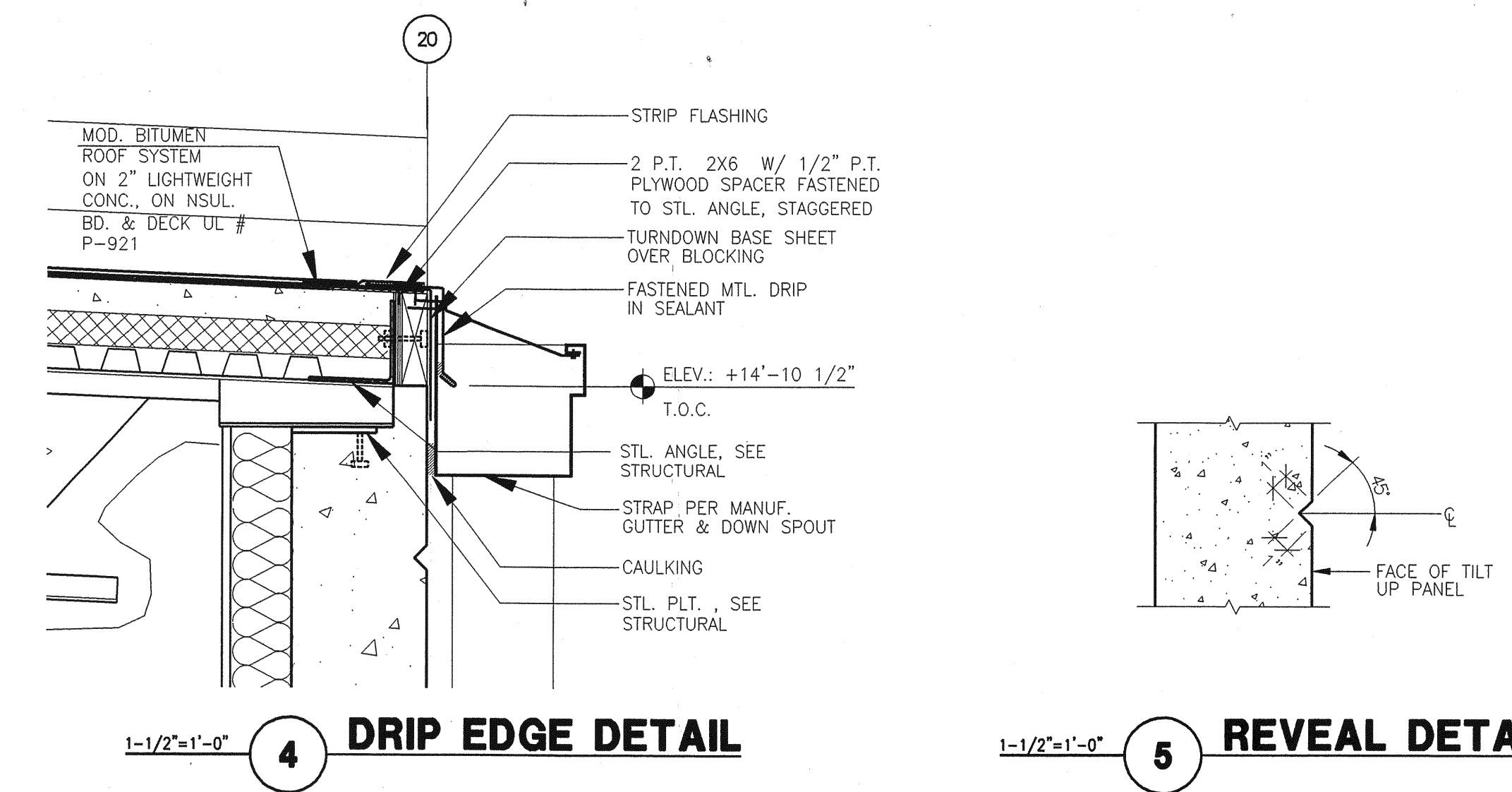


1/2"=1'-0" **1 WALL SECTION**

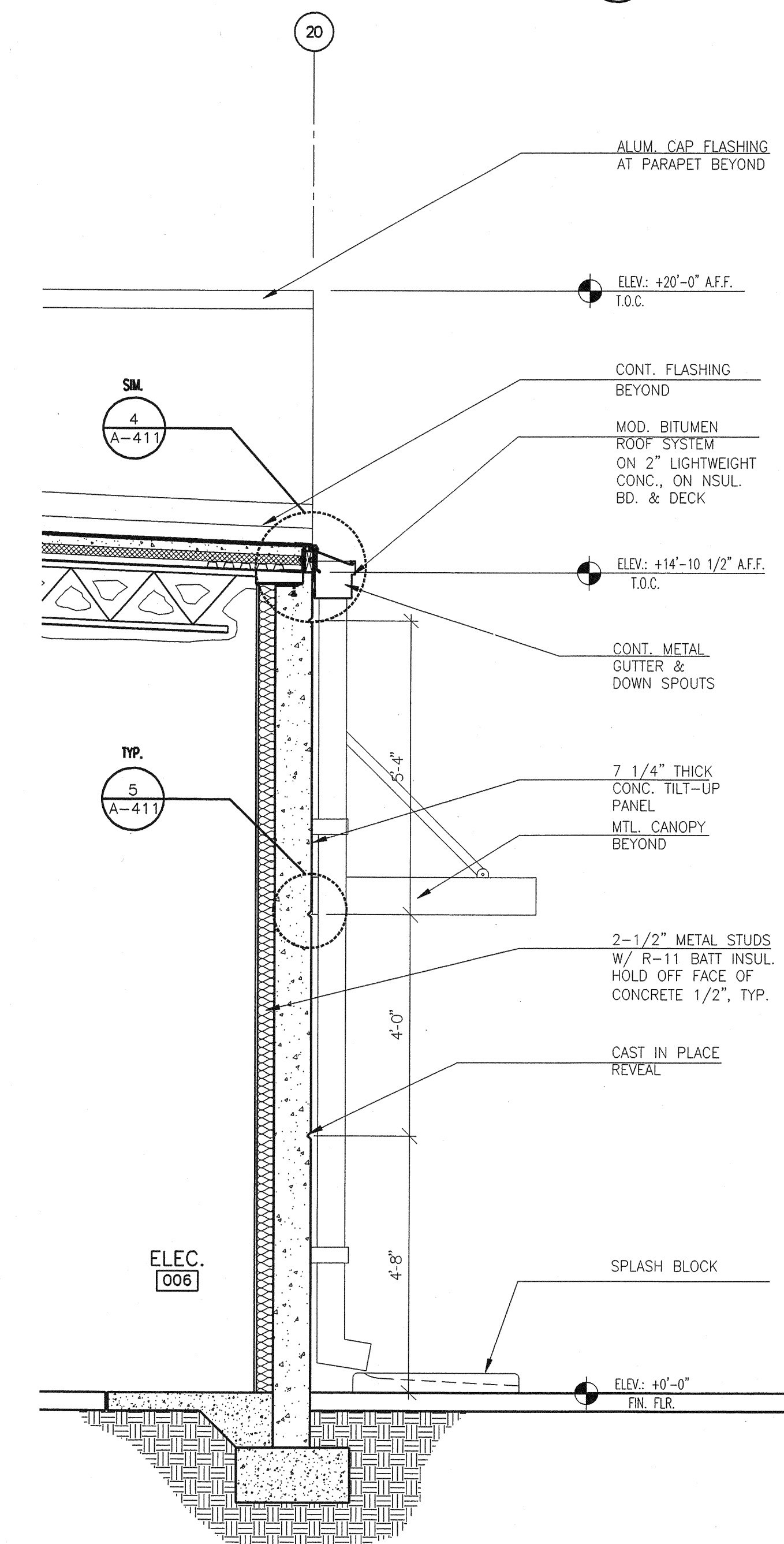


1/2"=1'-0" **2 WALL SECTION**



1-1/2"=1'-0" **4 DRIP EDGE DETAIL**

1-1/2"=1'-0" **5 REVEAL DETAIL**



1/2"=1'-0" **3 WALL SECTION**

SHEET TITLE

WALL SECTIONS

SHEET NUMBER

A-411

**PHASE III
100% CONST. DOCUM'T**