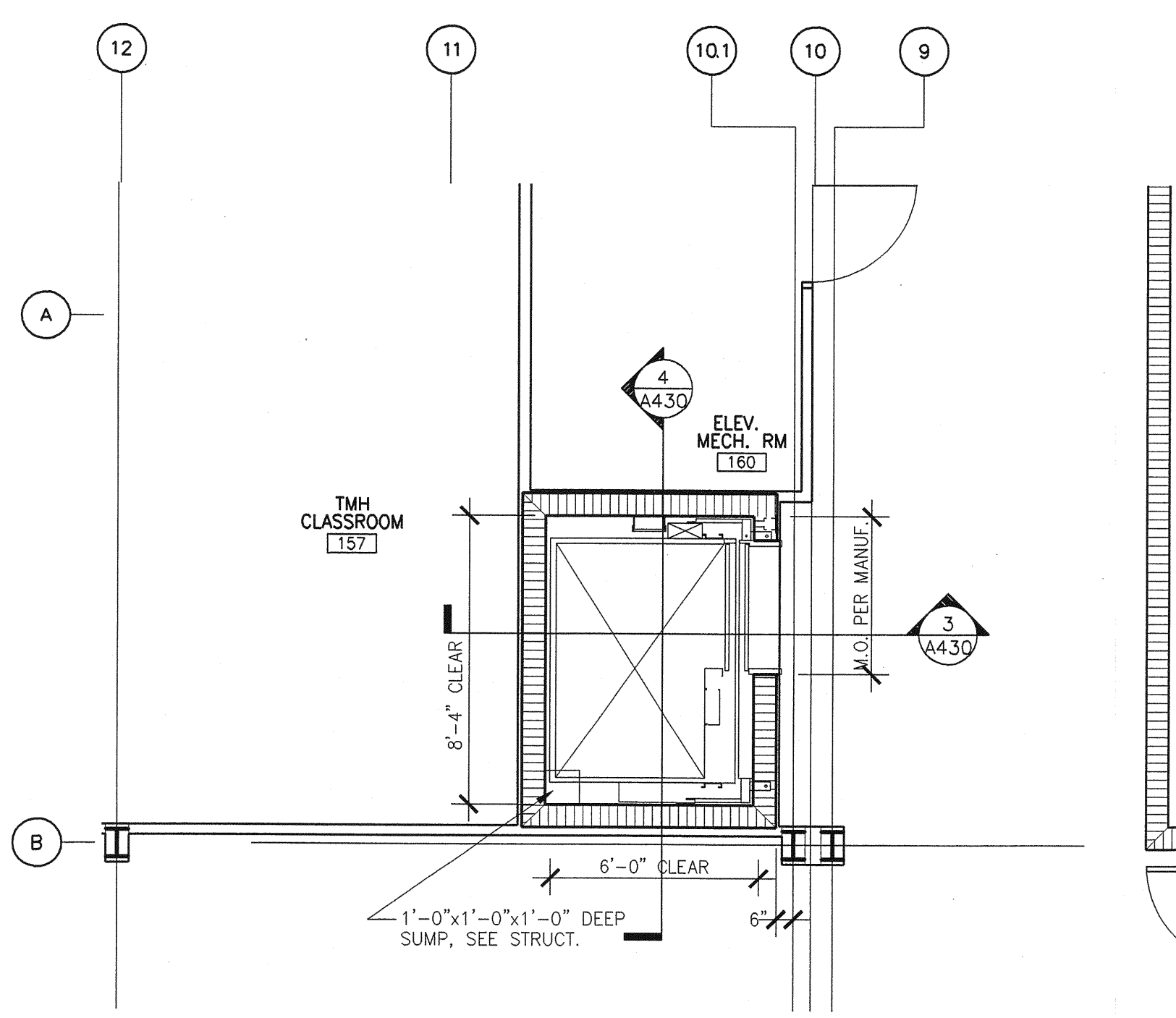
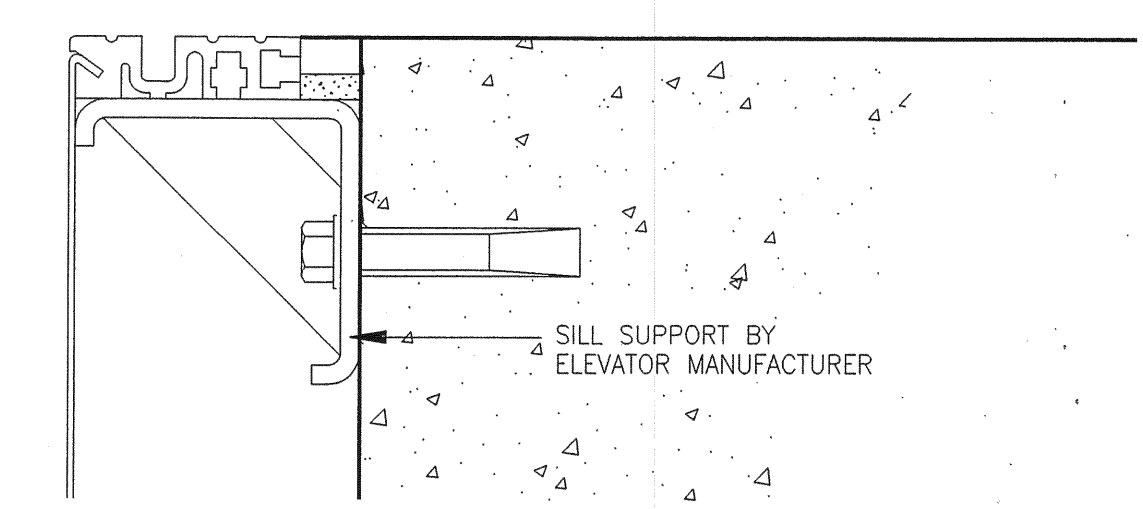


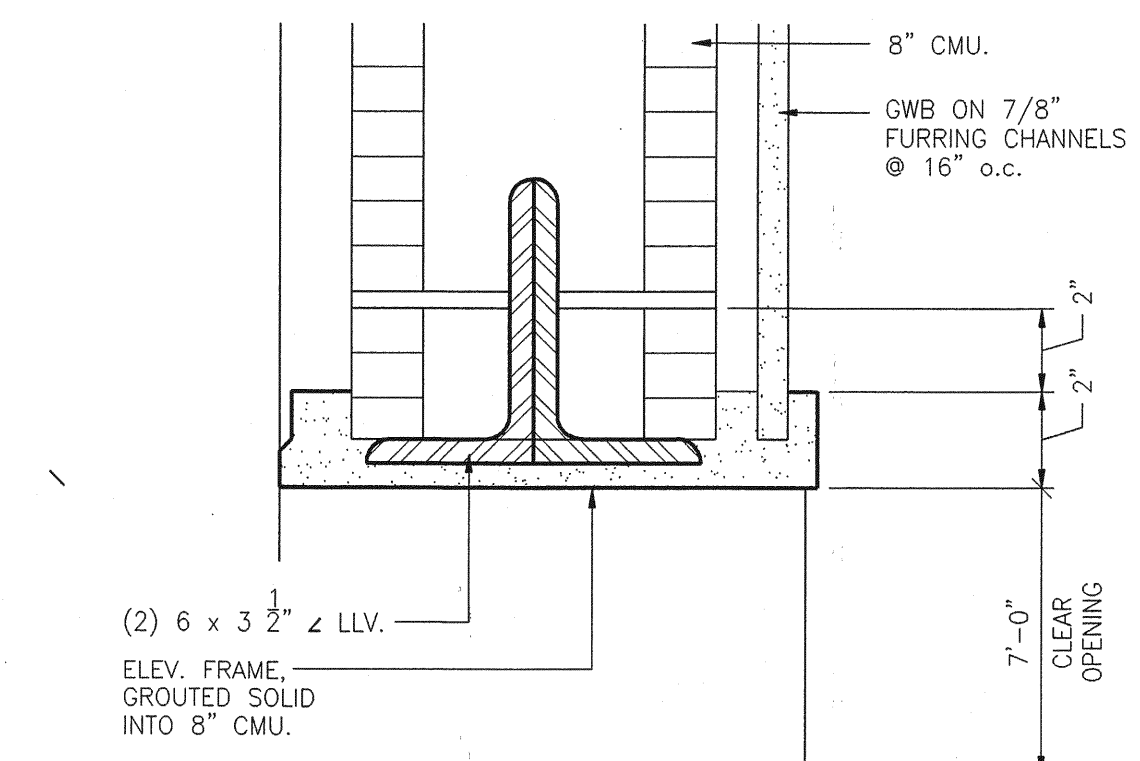
1/4"=1'-0" **2 ELEVATOR PLAN AT 2ND. FLOOR**



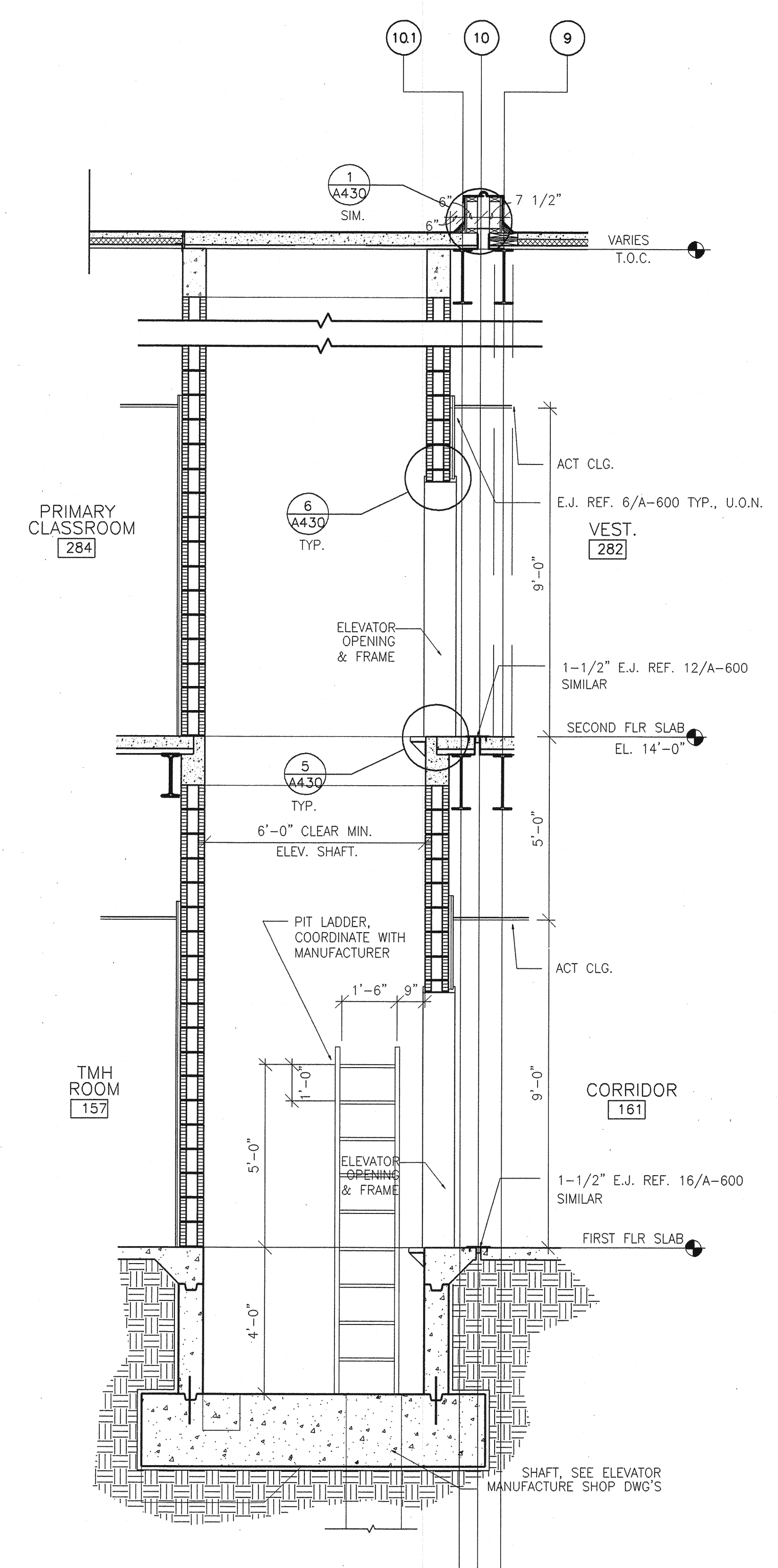
1/4"=1'-0" **1 ELEVATOR PLAN AT 1ST. FLOOR**



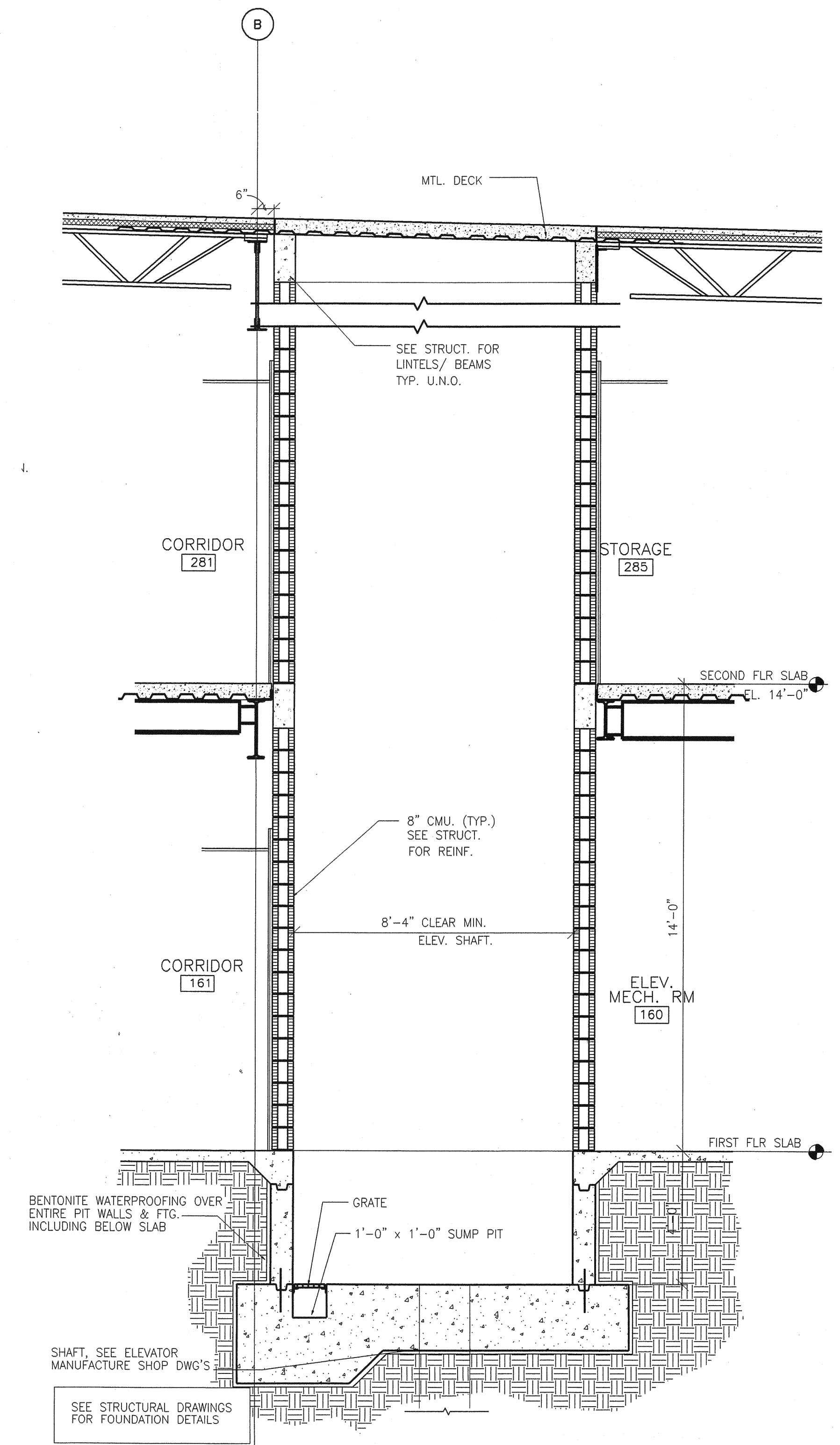
3/8"=1'-0" **5 ELEVATOR SILL DETAIL**



3/8"=1'-0" **6 ELEVATOR HEAD DETAIL**



3/8"=1'-0" **3 ELEVATOR SECTION**



3/8"=1'-0" **4 ELEVATOR SECTION**



SHEET TITLE
**ELEVATOR PLANS,
SECTIONS AND
DETAILS**

SHEET NUMBER
A-430

PHASE III
100% CONST. DOCUM'T