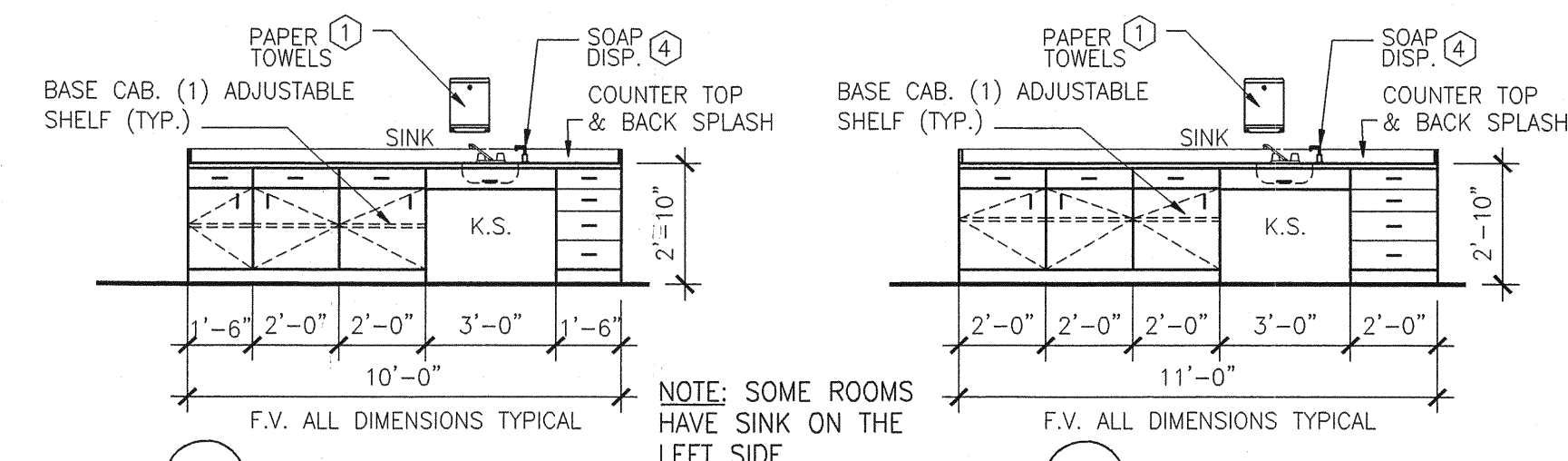
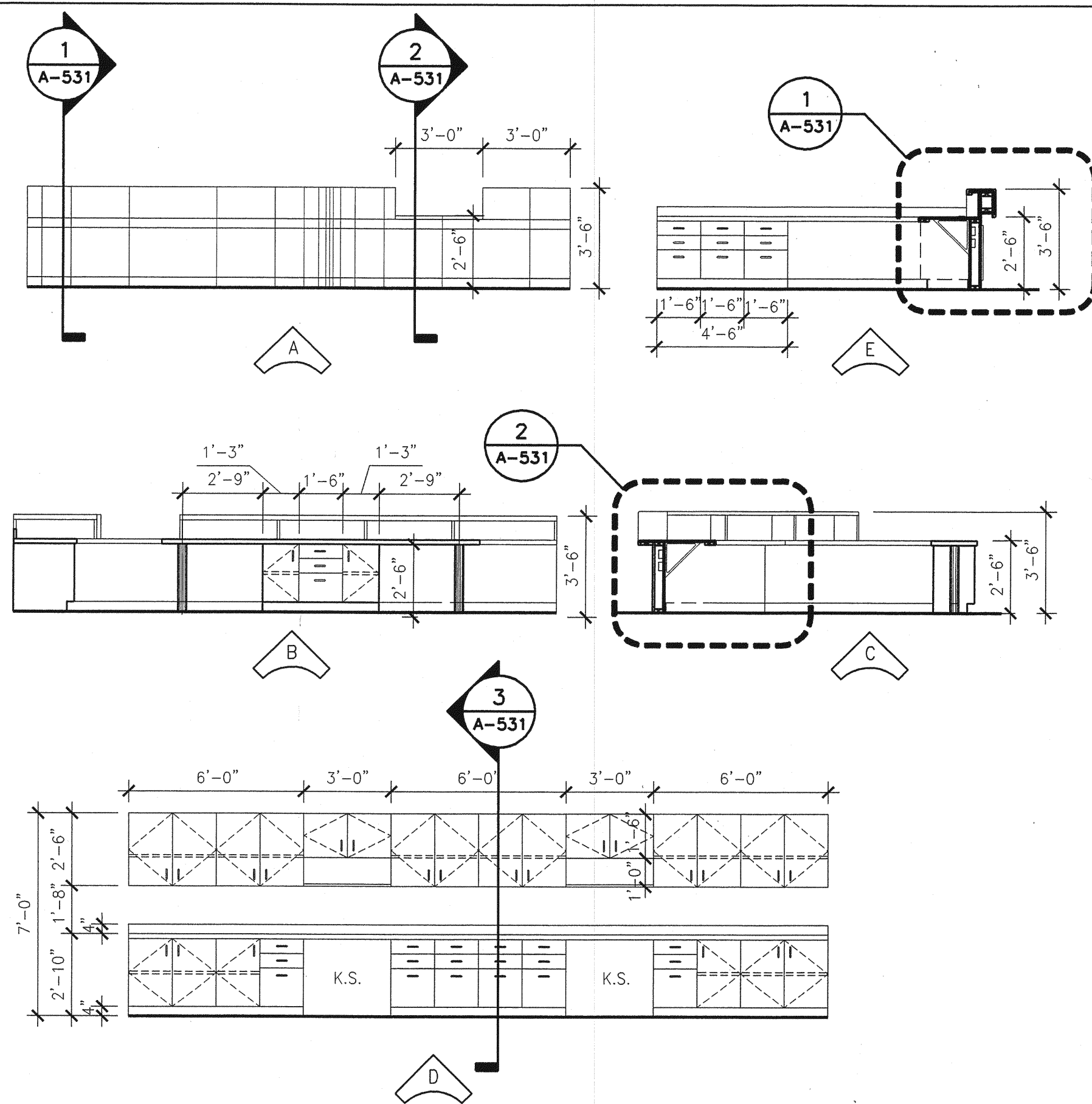
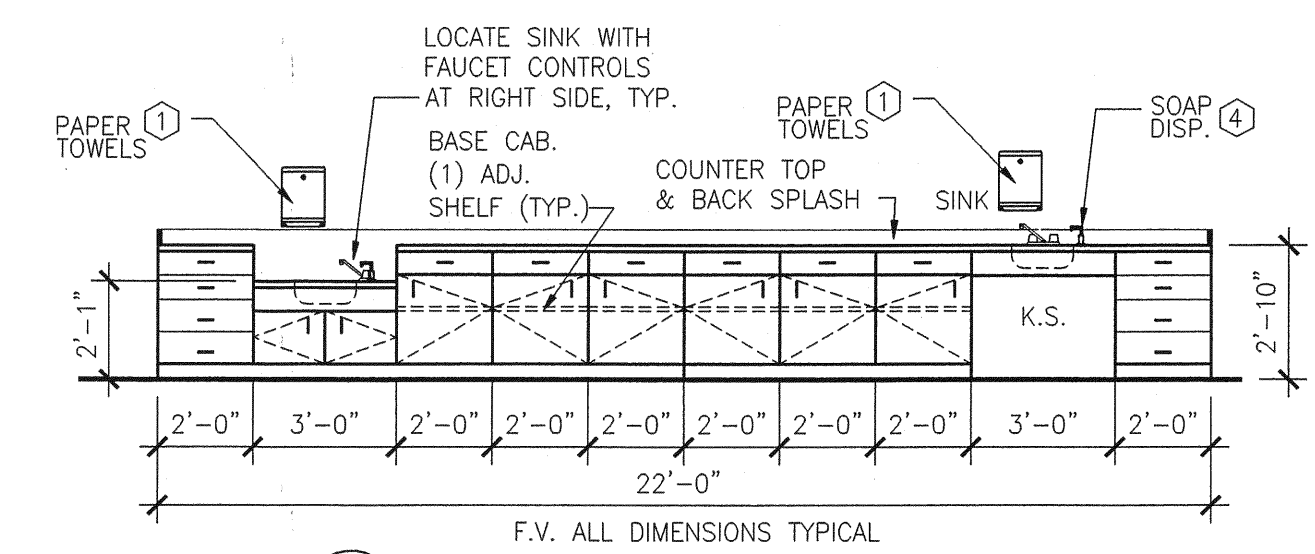


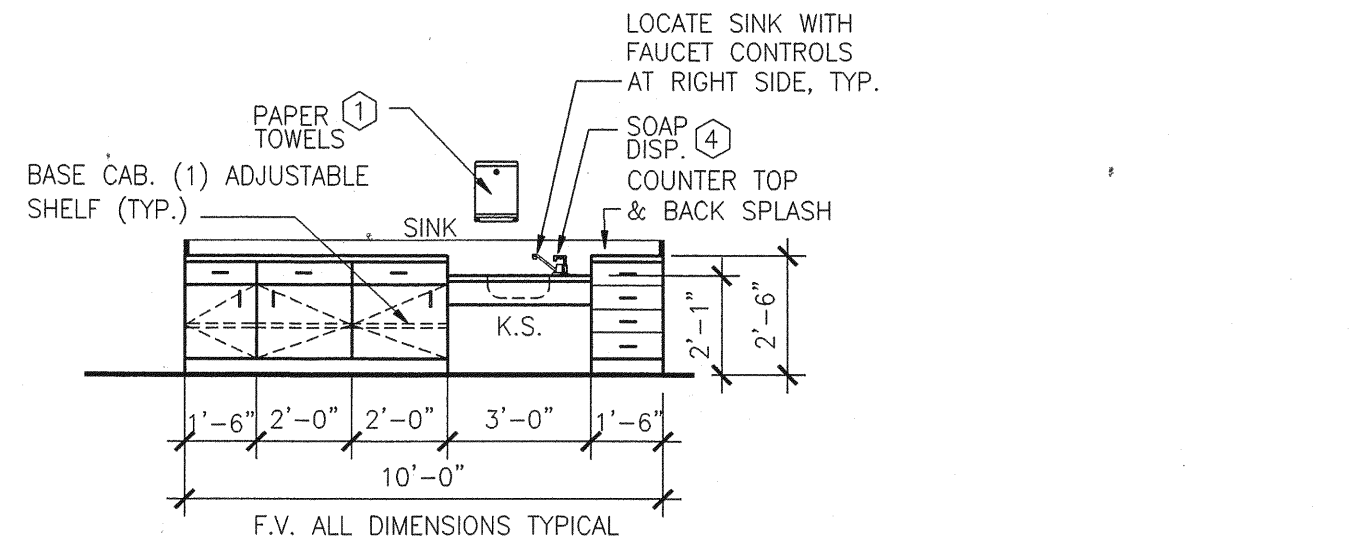
1/4"=1'-0" **1 SECRETARY/RECEPT. ENLARGED FLOOR PLAN, ELEVATION AND SECTIONS**



3A INTERMEDIATE CLASSROOMS **3B CLINIC**

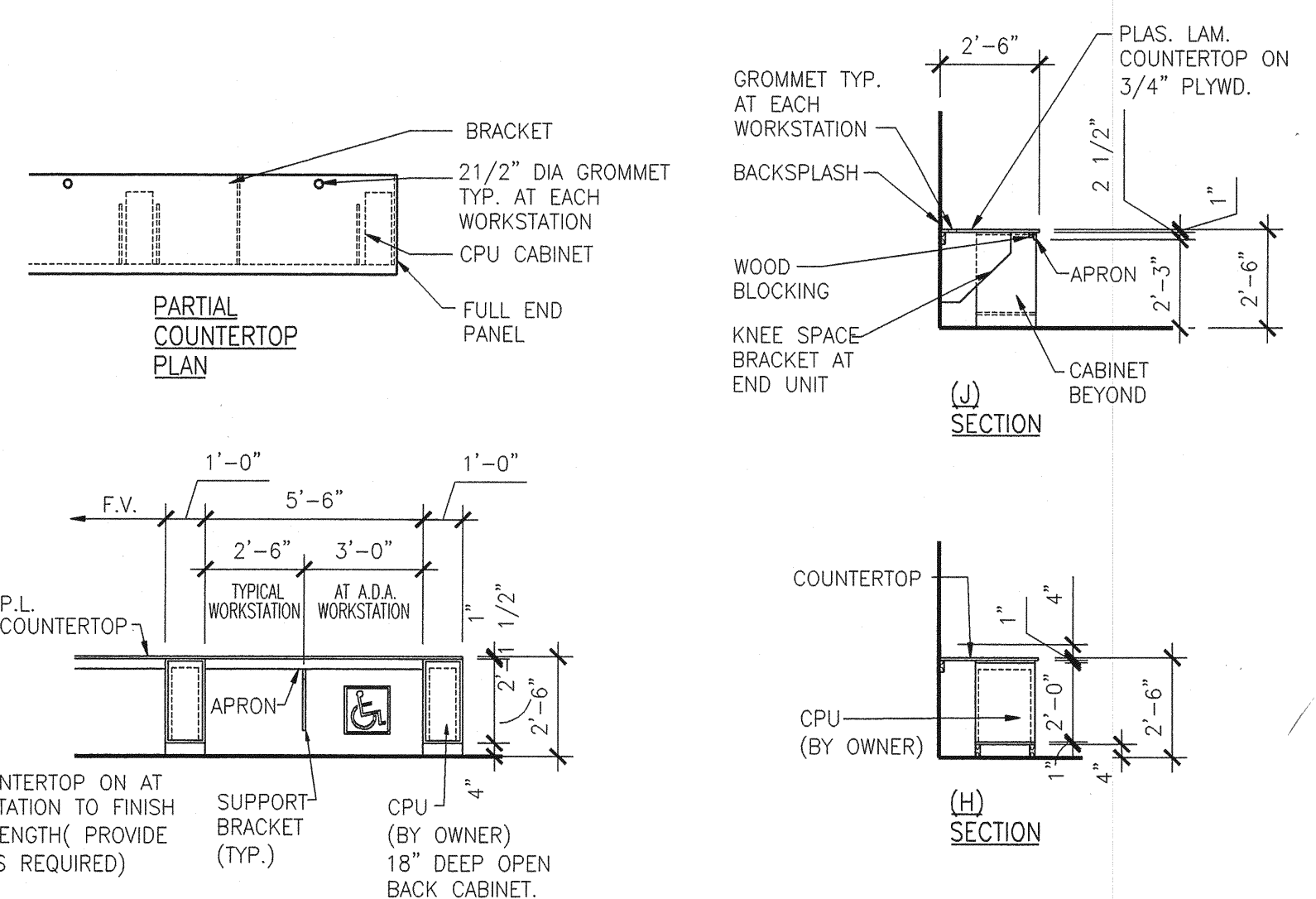
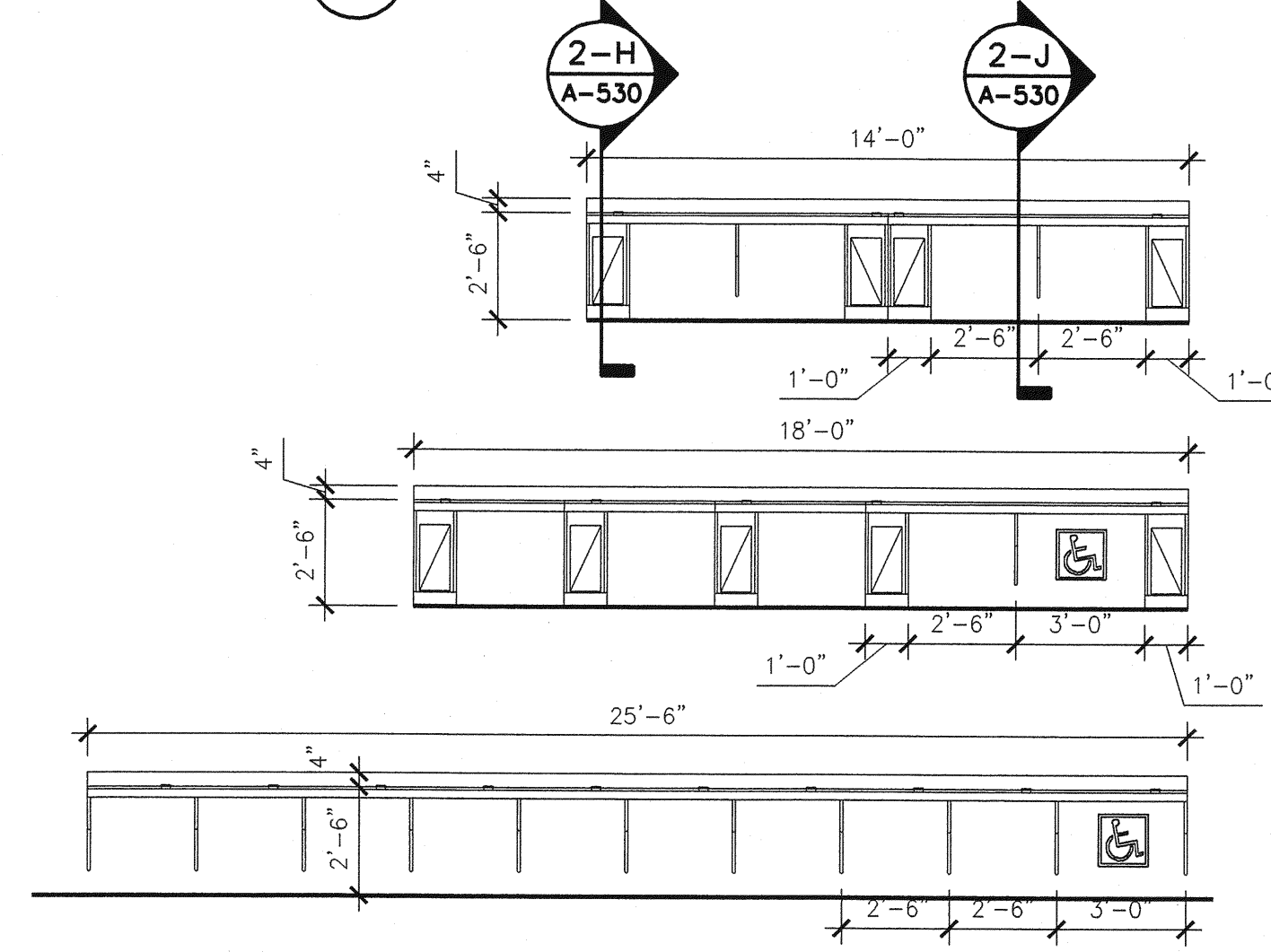


3C ART ROOM

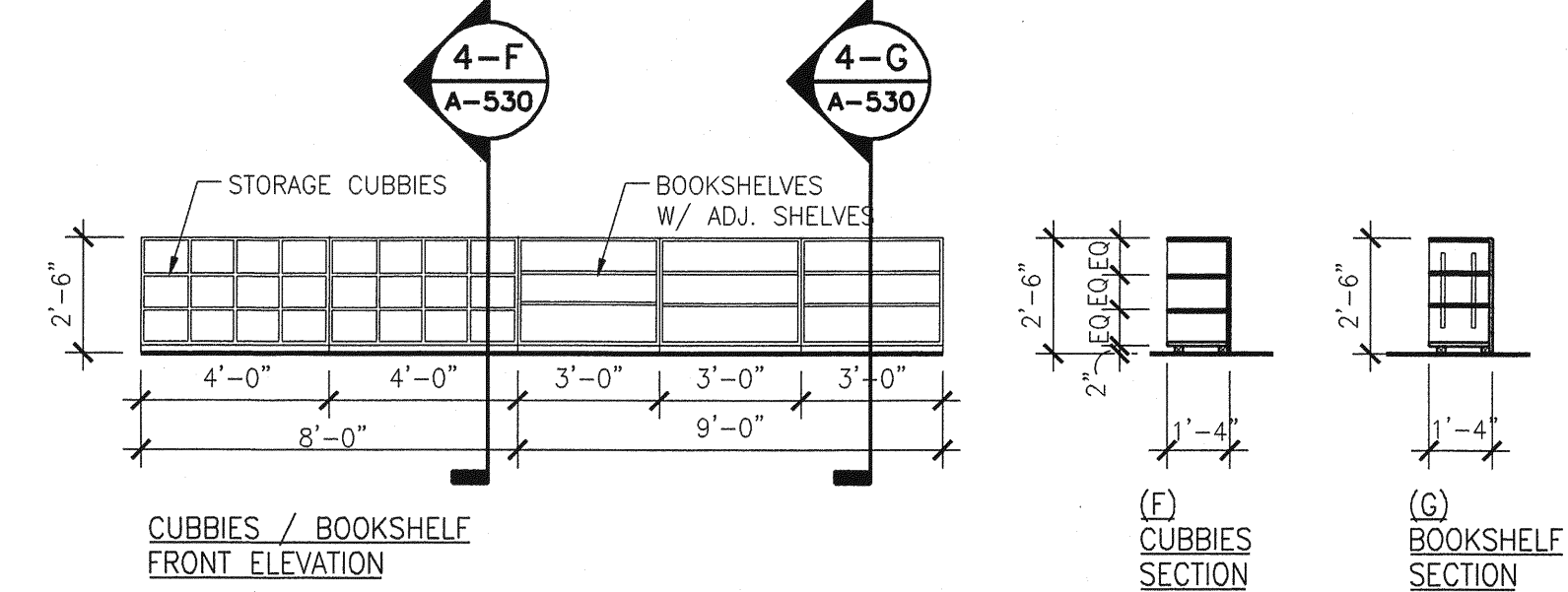


3D KINDERGARDEN PRIMARY CLASSROOMS

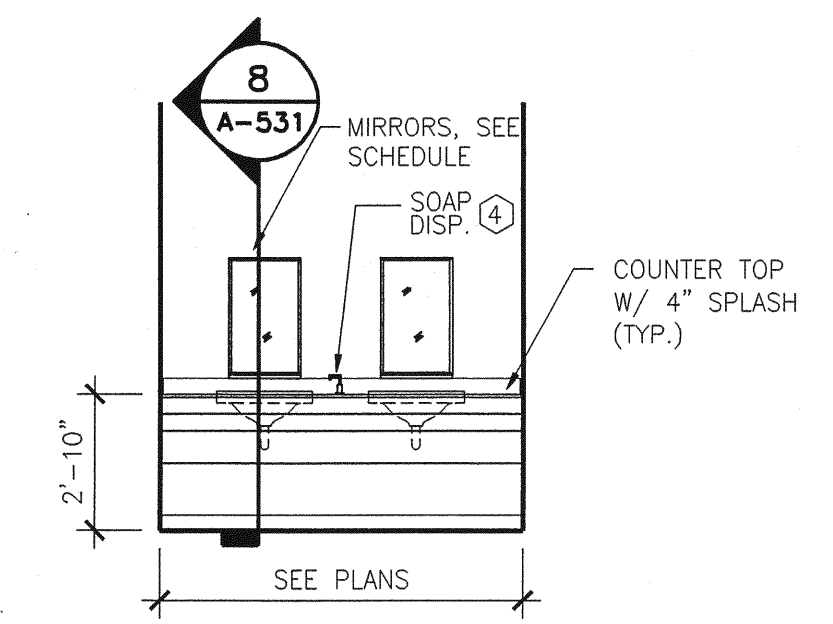
1/4"=1'-0" **3 TYP. COUNTERS AT CLASSROOMS / CLINIC**



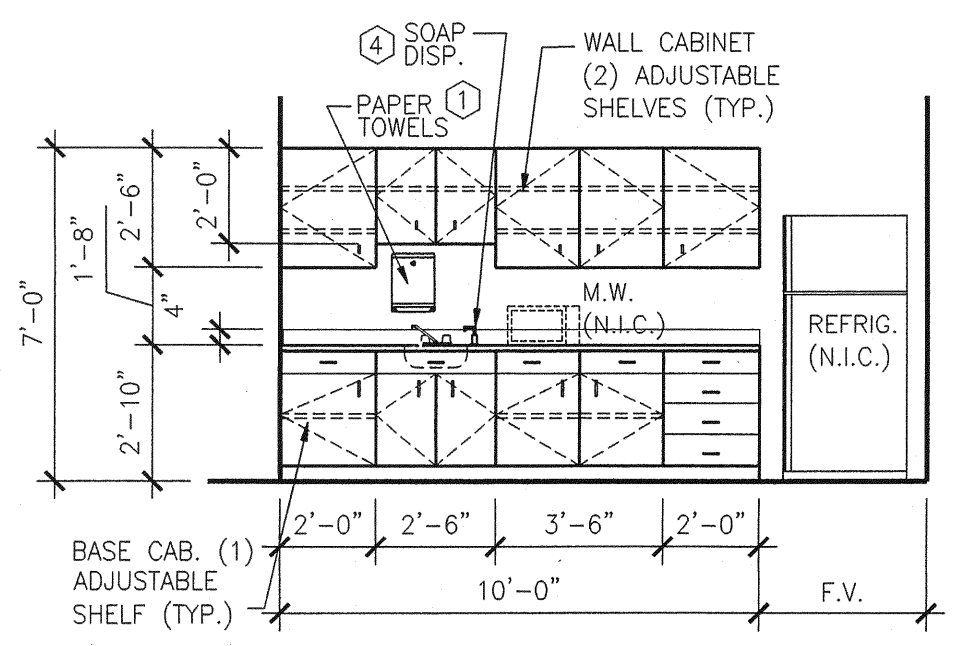
1/4"=1'-0" **2 COMPUTER STATION ELEVATIONS, SECT. & DETAILS**



1/4"=1'-0" **4 STUDENT CUBBIES / BOOKSHELVES**



1/4"=1'-0" **7 TYP. VANITY**



1/4"=1'-0" **8 MILLWORK AT TEACHER'S LOUNGE**



SHEET TITLE
MILLWORK PLANS, ELEVATIONS AND DETAILS

SHEET NUMBER
A-530
 OF
PHASE III
100% CONST. DOCUM'T