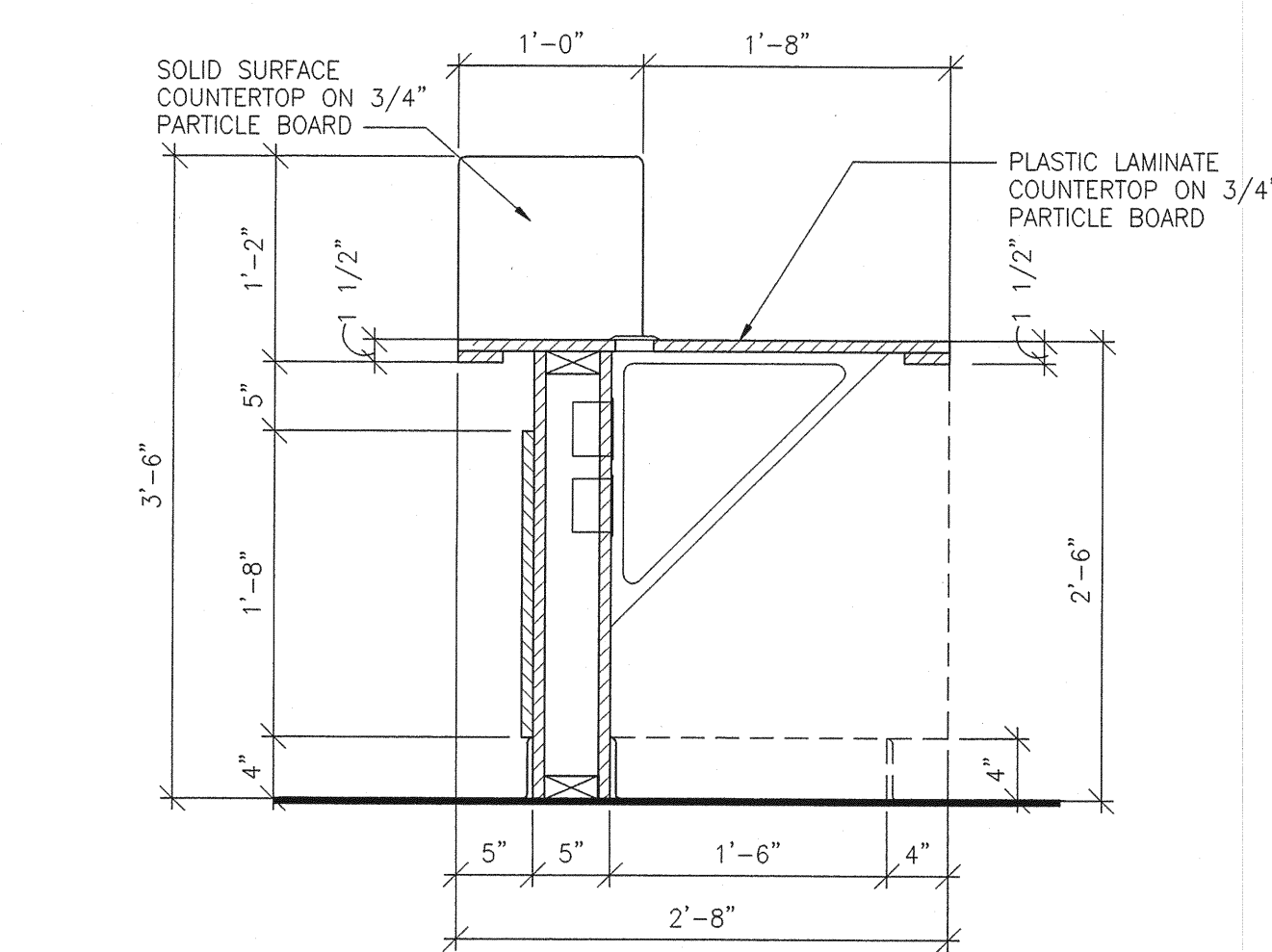
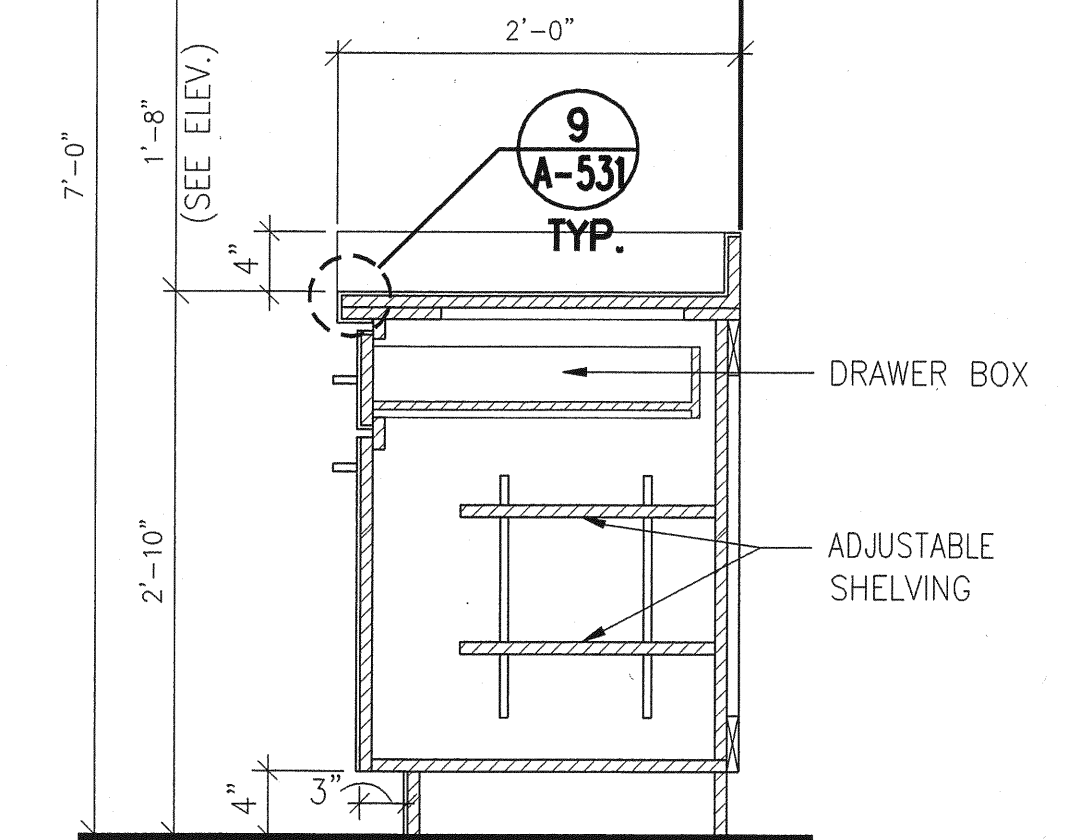


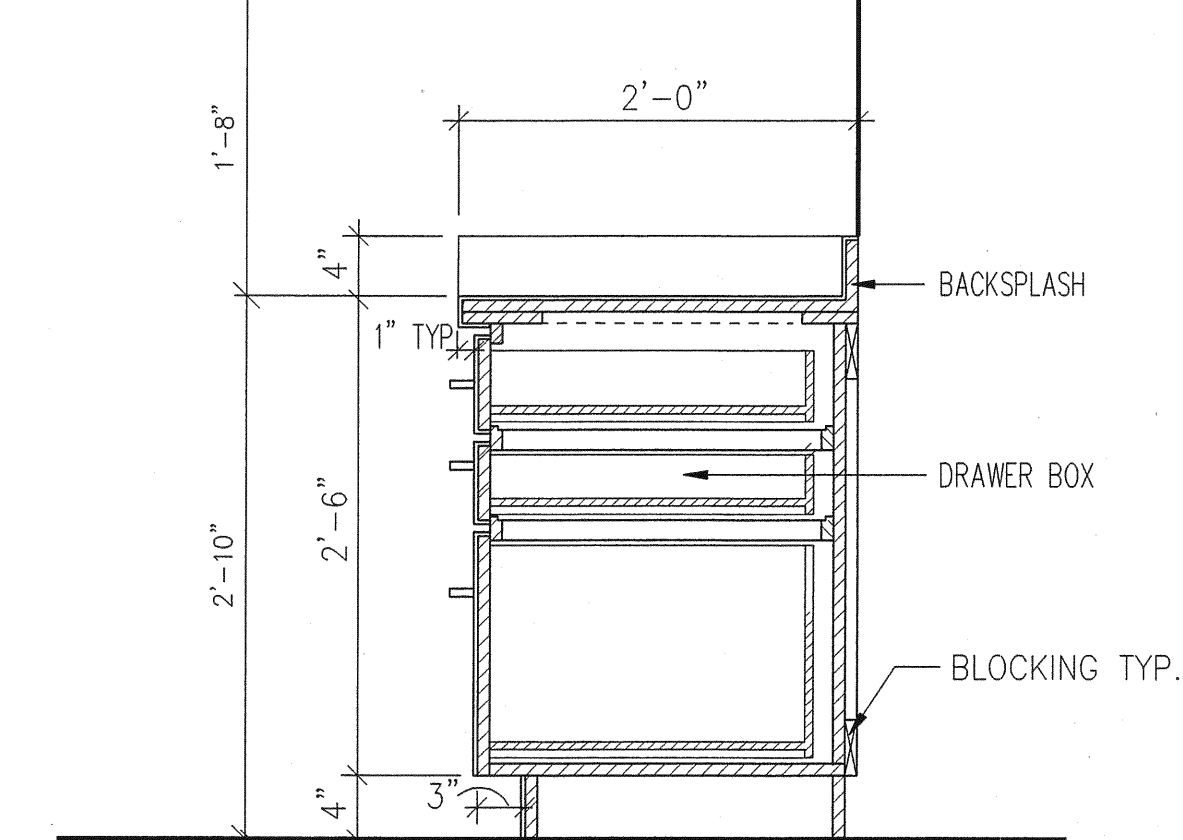
1'-1'-0" **1 RECEPTION COUNTER TYPICAL SECTION**



1'-1'-0" **2 RECEPTION COUNTER A.D.A. COMPLIED SECTION**



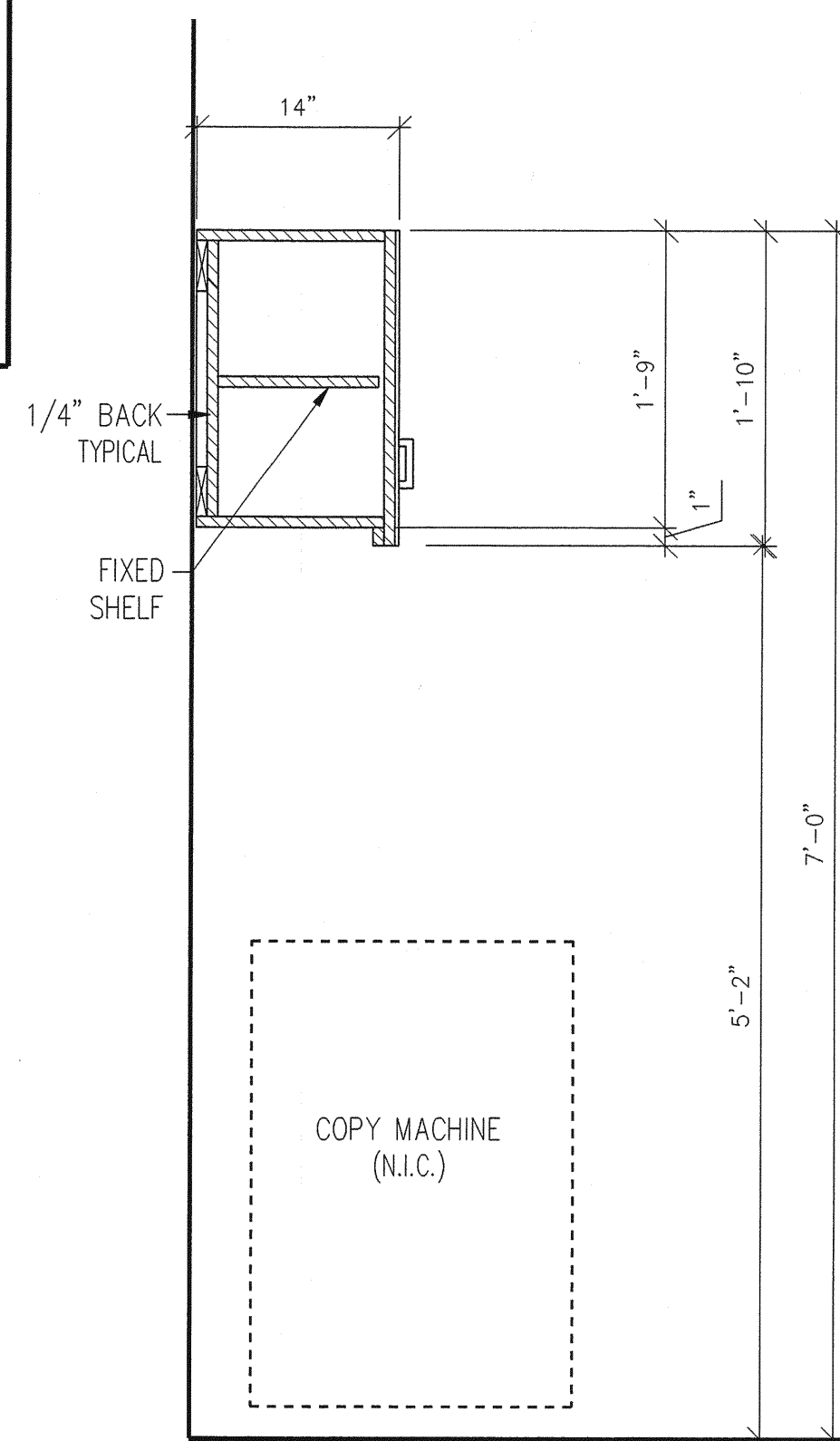
1'-1'-0" **3 TYPICAL CABINET**



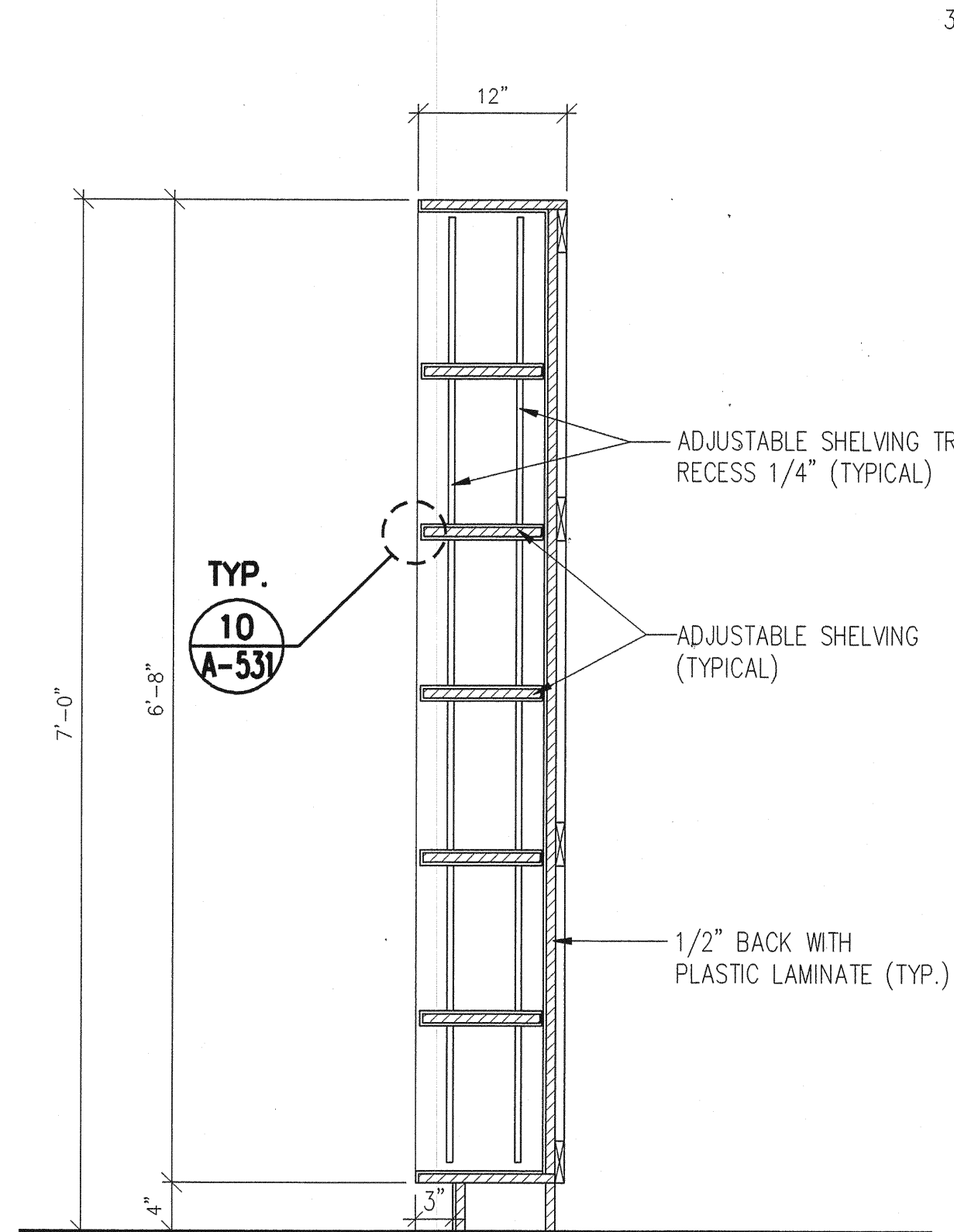
1'-1'-0" **4 3 DRAWER CABINET**

GENERAL NOTES:

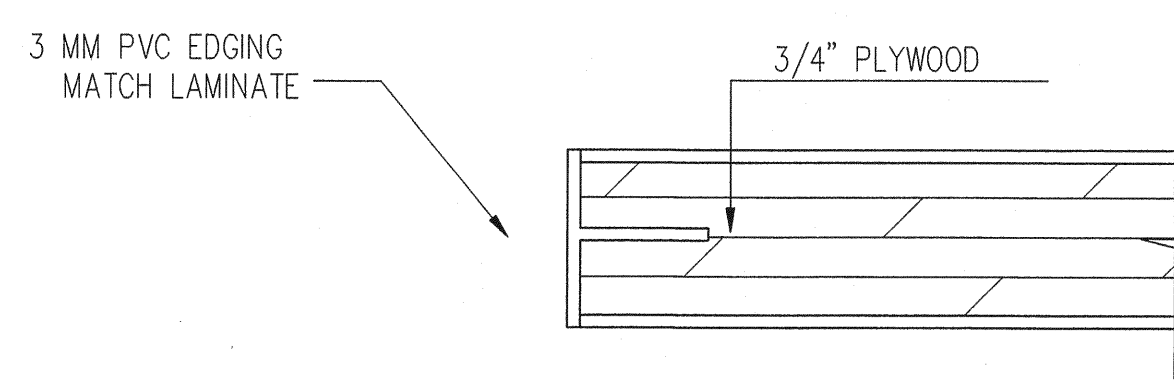
- 1.- ALL DIMENSIONS TO BE FIELD VERIFIED
- 2.- SEE SPECIFICATIONS FOR HARDWARE AND CABINET CONSTRUCTION.
- 3.- ALL SHELVING TO BE 3/4" PLYWOOD WITH PLASTIC LAMINATE FINISH. (U. O. N.)
- 4.- TYPICAL CABINET COUNTER TO BE PARTICLE BOARD. SINK CABINET COUNTER TO BE PLYWOOD.



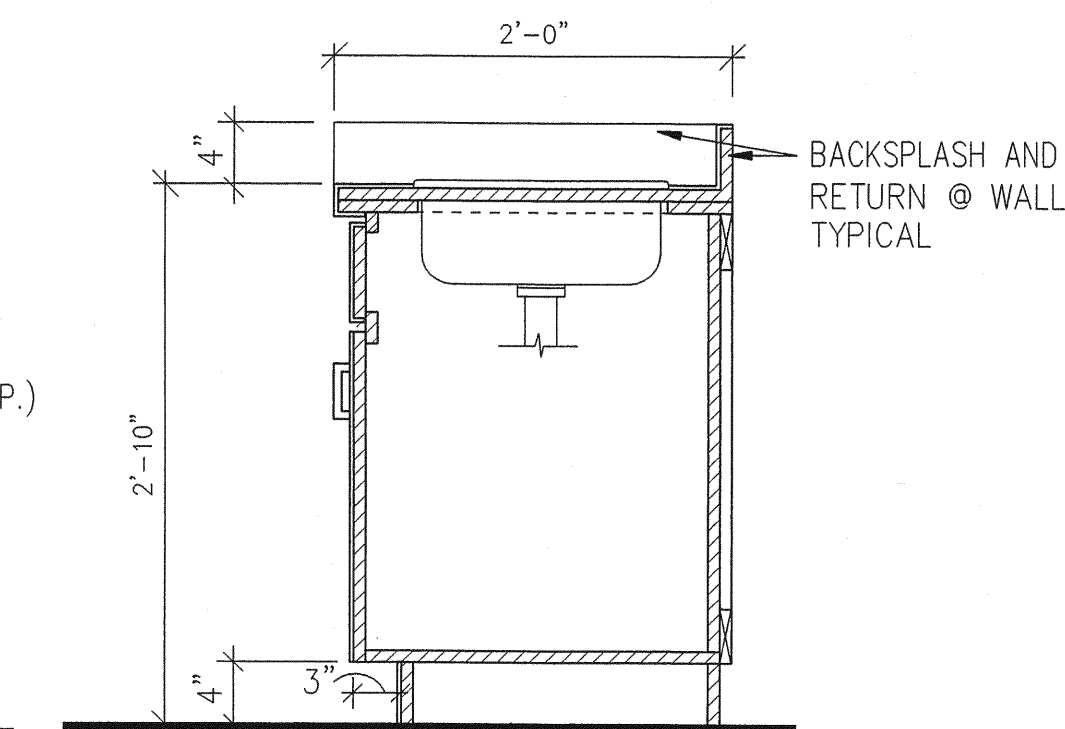
1'-1'-0" **5 TOP CABINET AT COPIER**



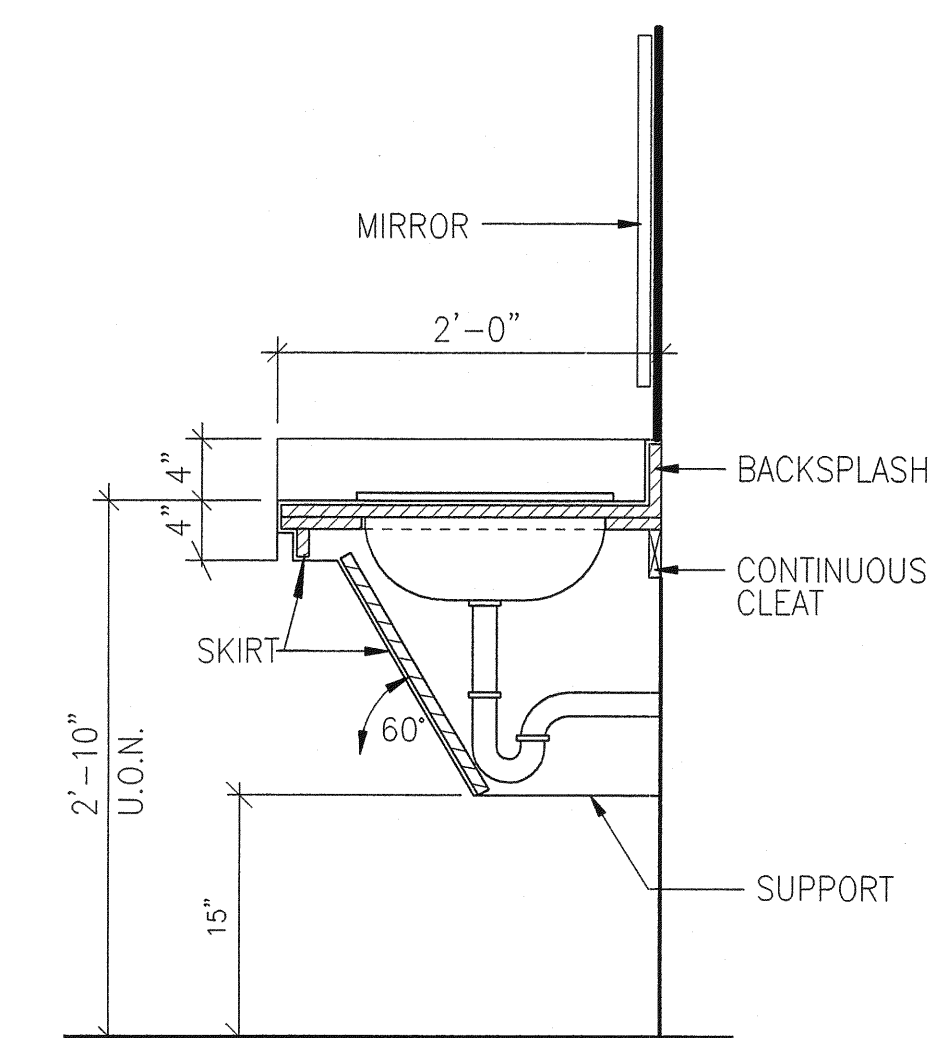
1'-1'-0" **6 UNIT SHELVING SECTION**



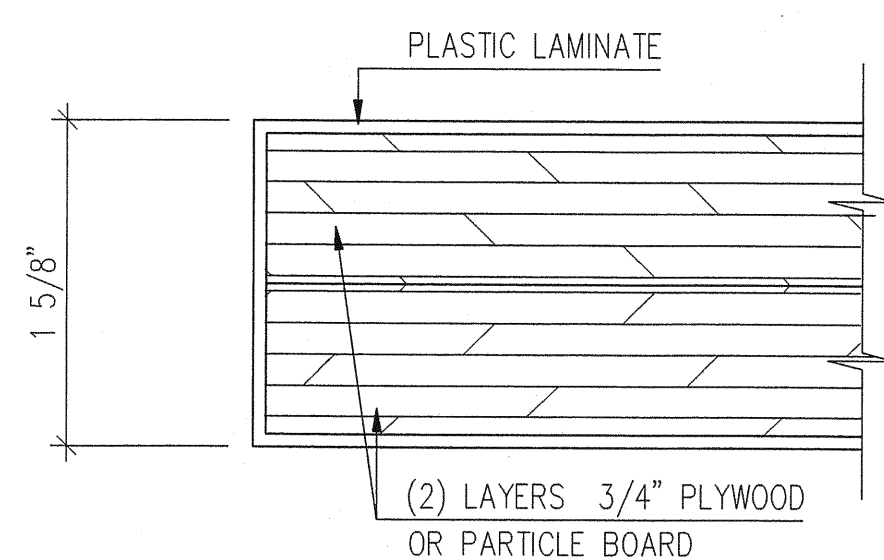
N.T.S. **10 SHELF EDGE DETAIL**



1'-1'-0" **7 SINK CABINET**
ALL PLYWOOD CABINET



1'-1'-0" **8 COUNTER TOP @ LAVATORY**



N.T.S. **9 COUNTER EDGE DETAIL**

SHEET TITLE

MILLWORK SECTIONS, DETAILS AND NOTES

SHEET NUMBER

A-531

PHASE III 100% CONST. DOCUM'T