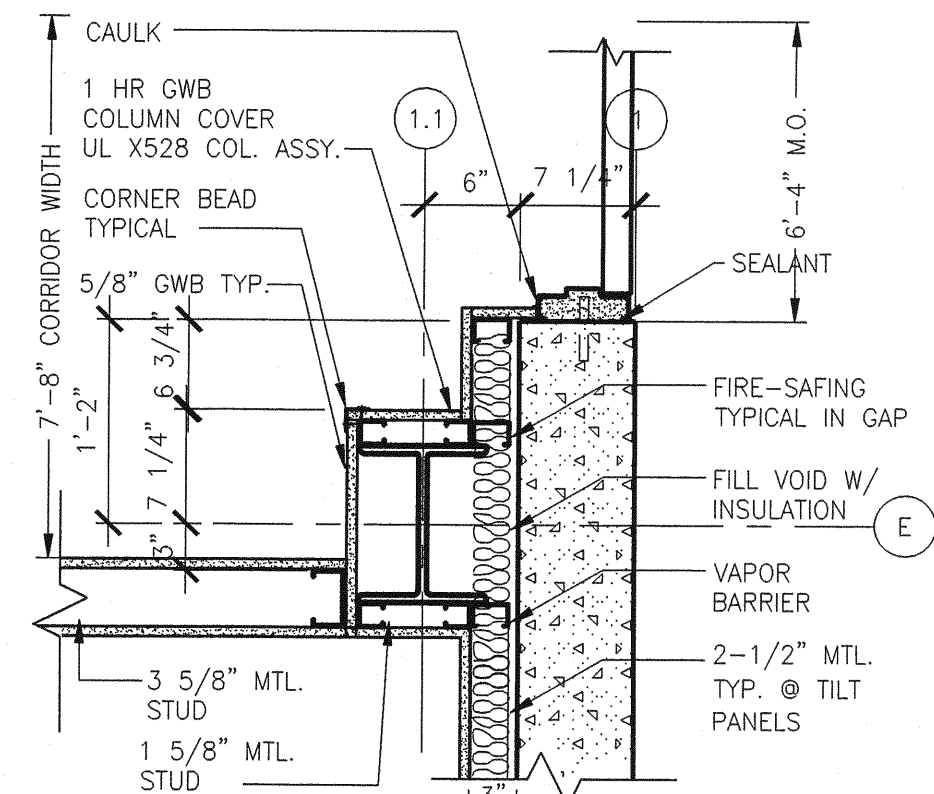
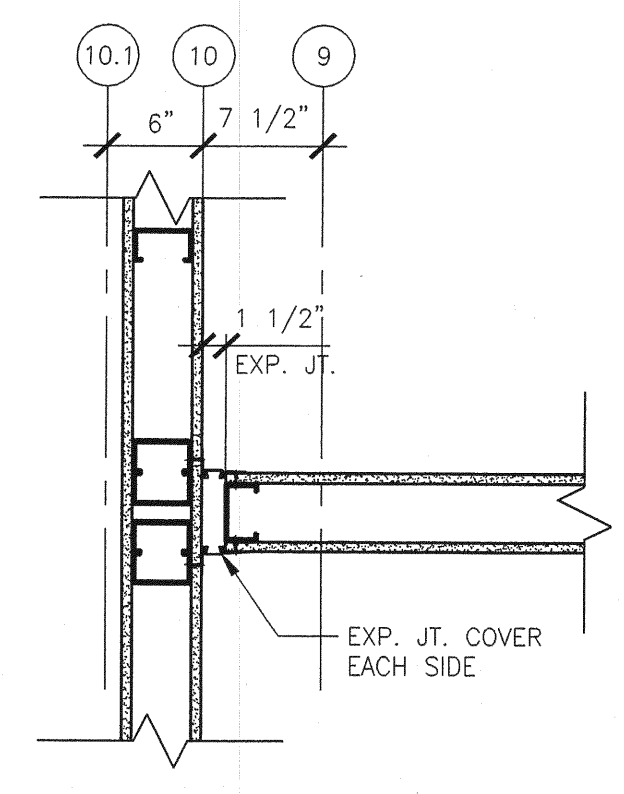


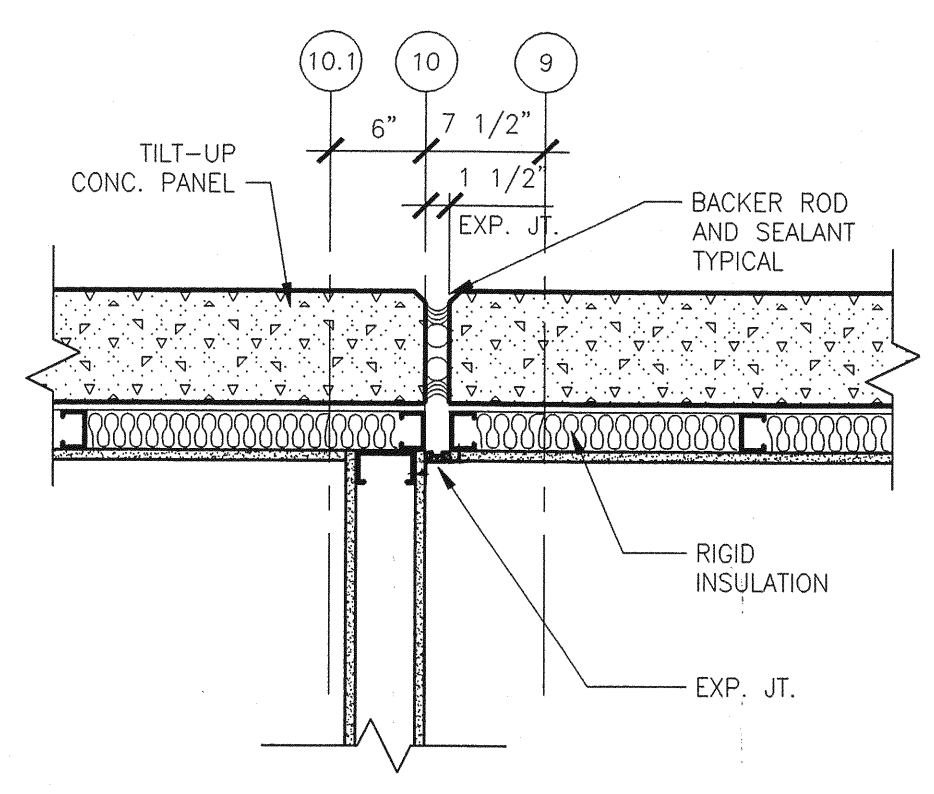
1"=1'-0" **1 JAMB DETAIL @ DOORS 198, 198A**



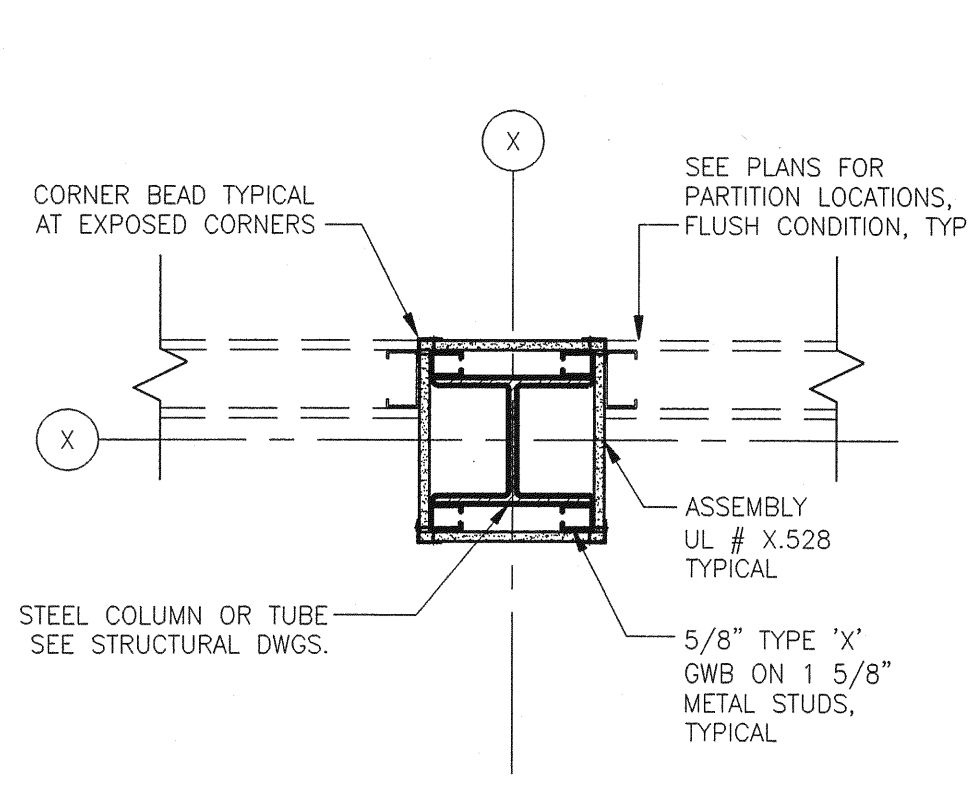
1"=1'-0" **2 COL./DOOR JAMB @ DOORS 187 A & 170C**



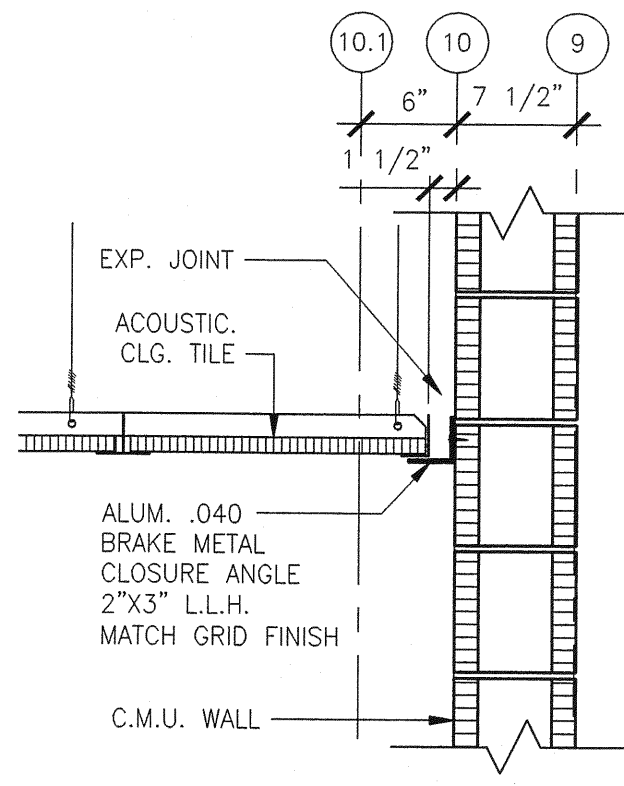
1"=1'-0" **3 GWB WALL INTERSECT. AT EXPANSION JOINT**



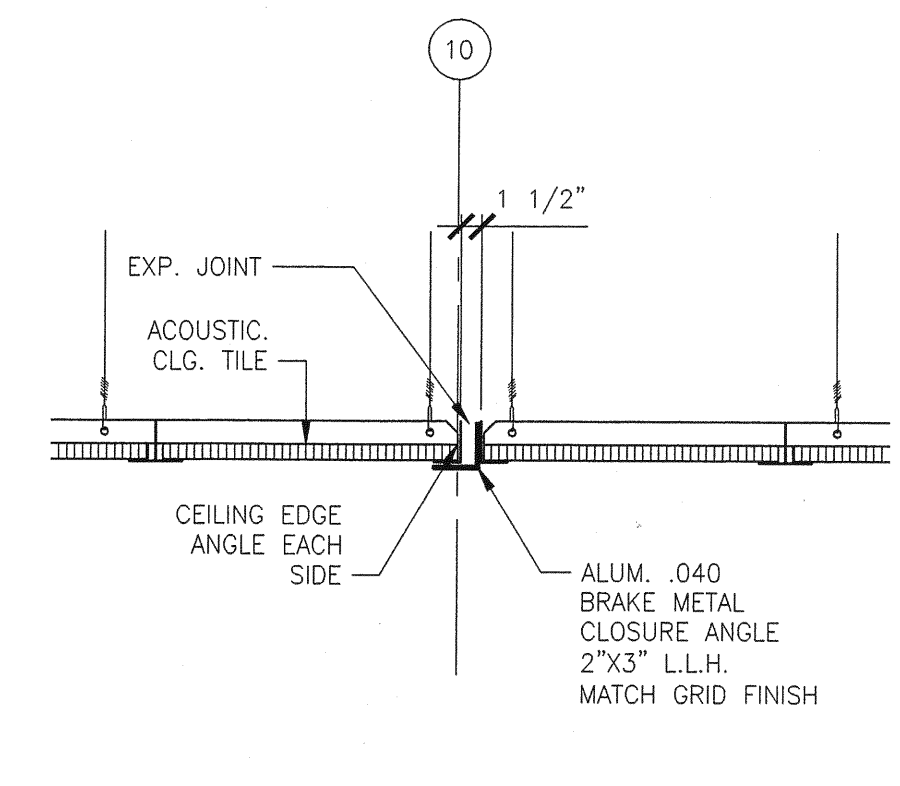
1"=1'-0" **4 EXTERIOR WALL AT EXPANSION JOINT**



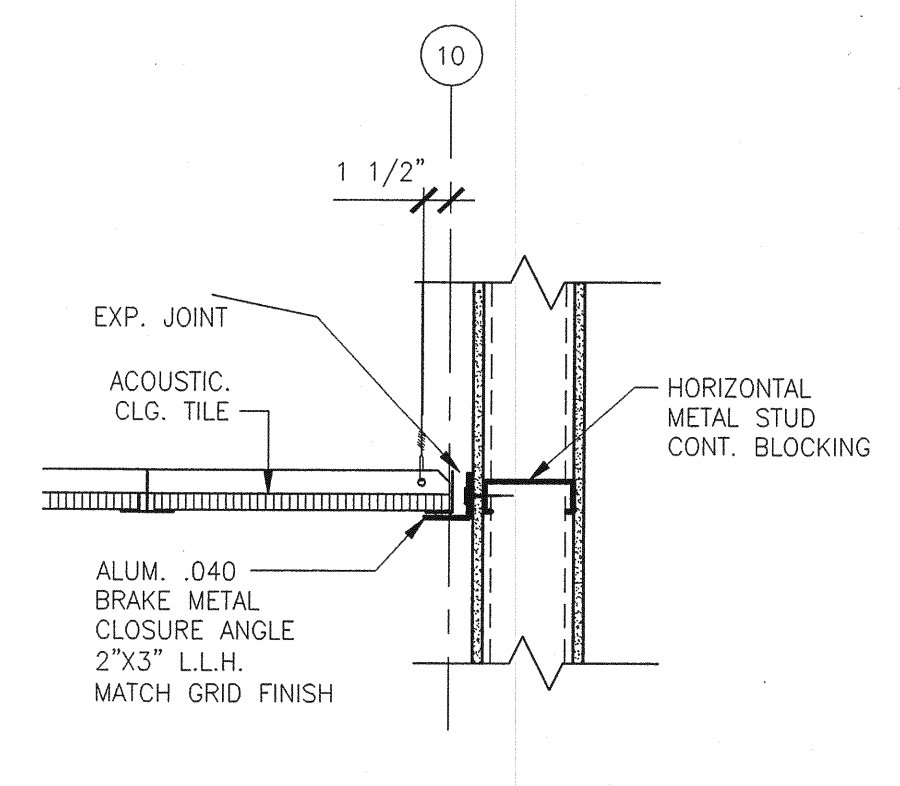
1"=1'-0" **5 COLUMN DETAIL TYPICAL**



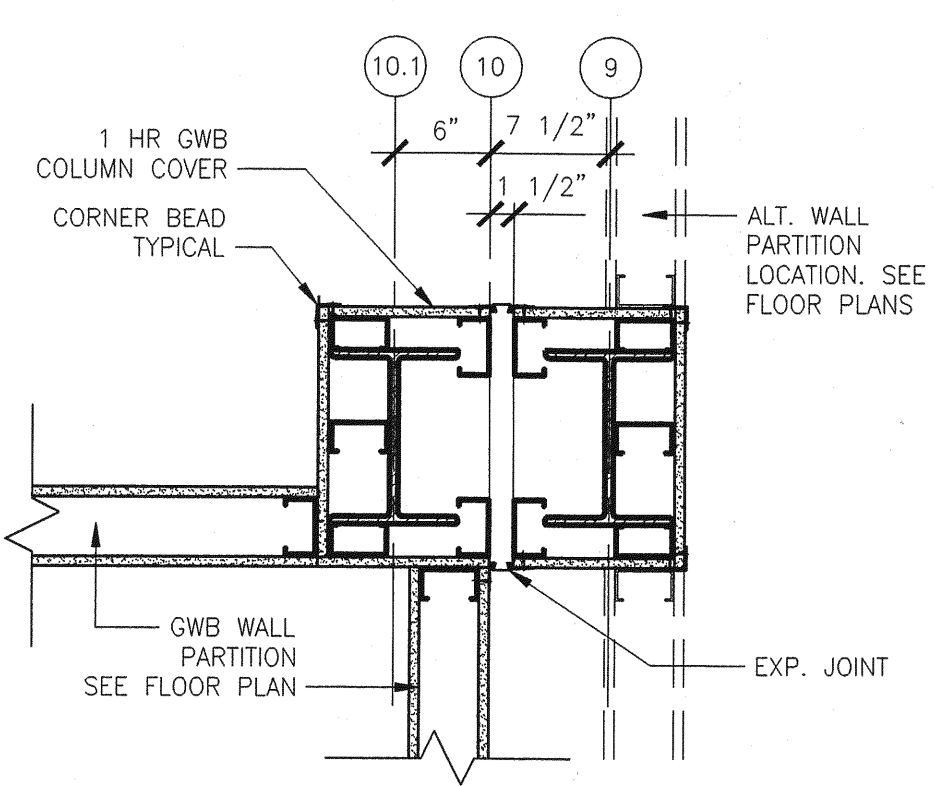
1"=1'-0" **6 CLG/CMU WALL AT EXPANSION JOINT**



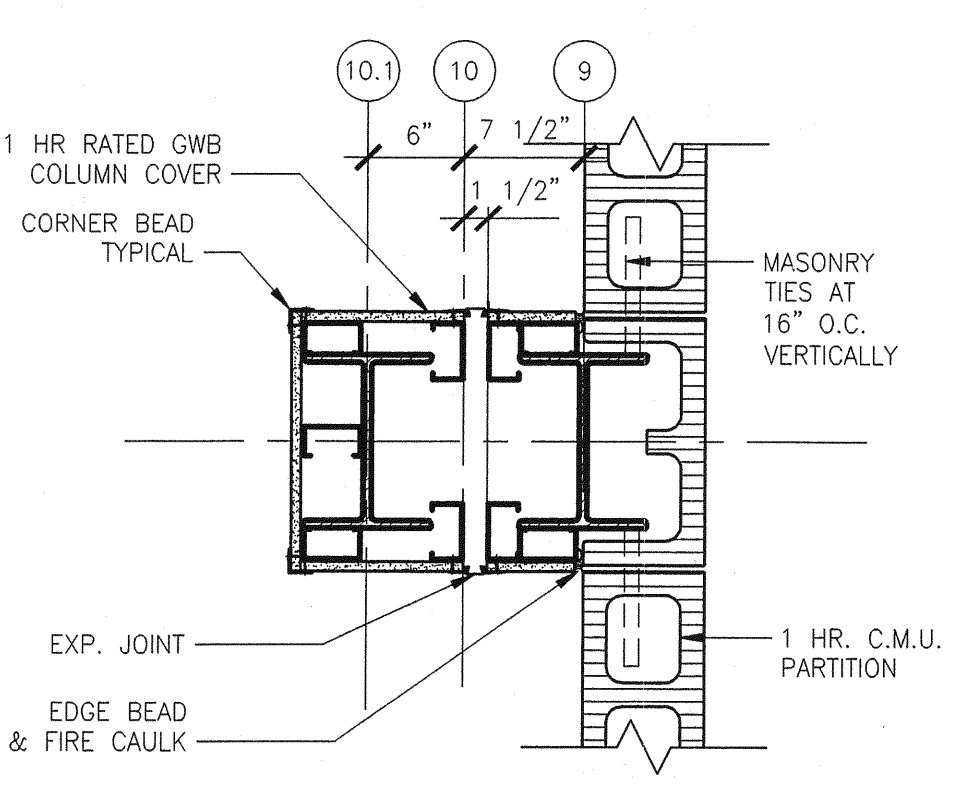
1"=1'-0" **7 CEILING/CEILING AT EXPANSION JOINT**



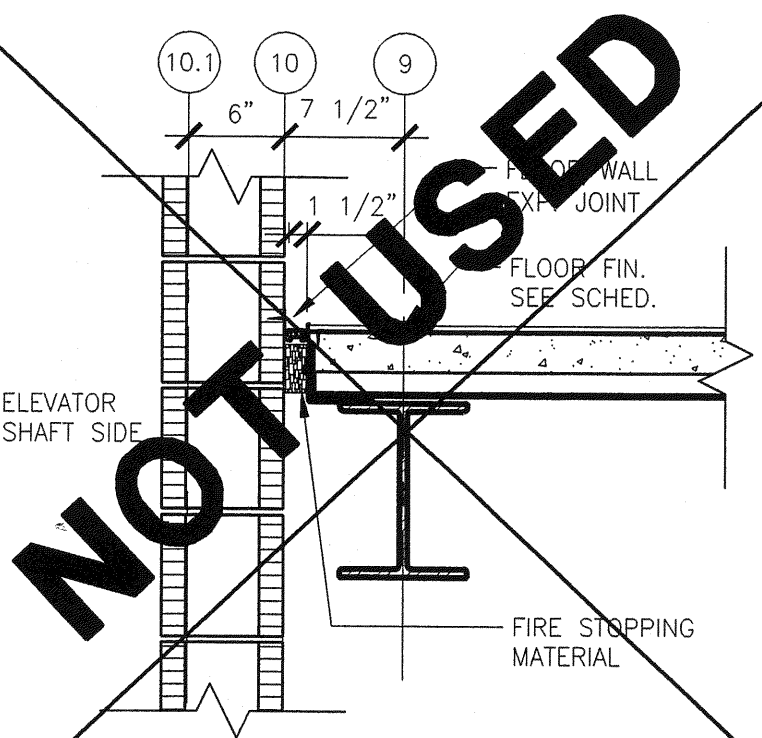
1"=1'-0" **8 CEILING/GWB WALL AT EXPANSION JOINT**



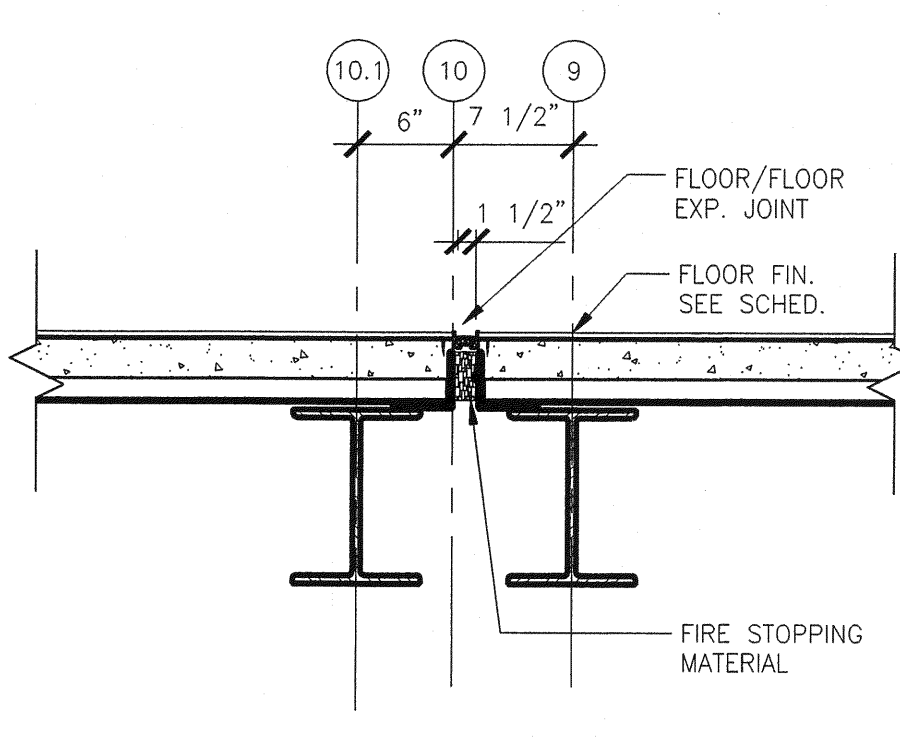
1"=1'-0" **9 1 HR GWB COL. COVER AT EXPANSION JOINT**



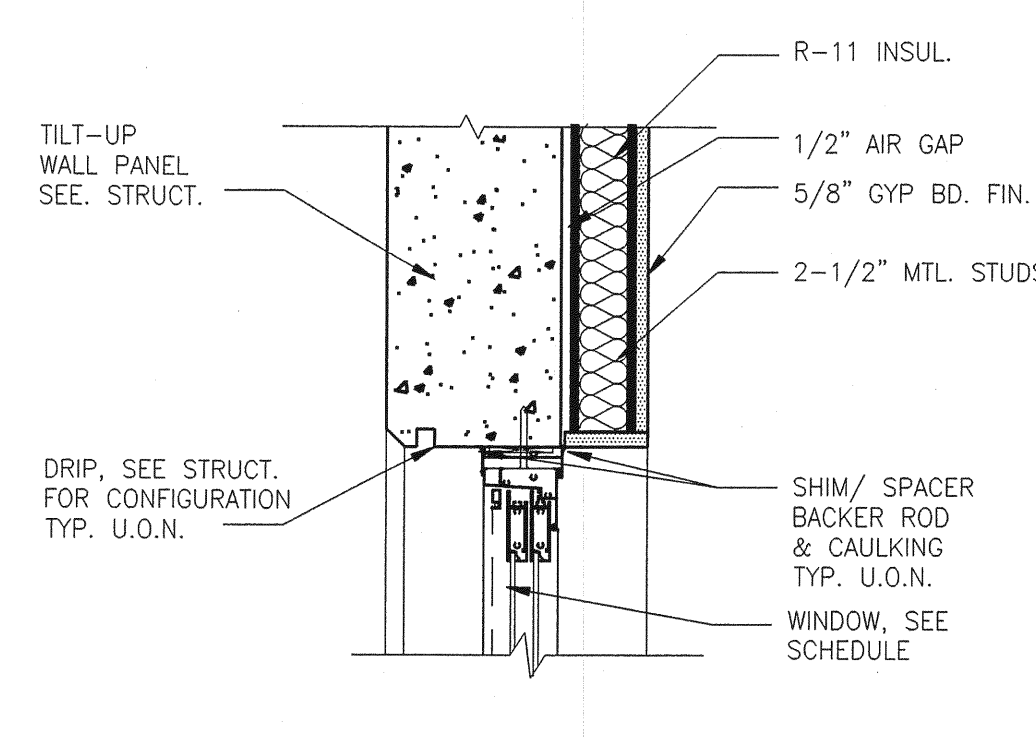
1"=1'-0" **10 1 HR GWB COL. COVER AT EXPANSION JOINT**



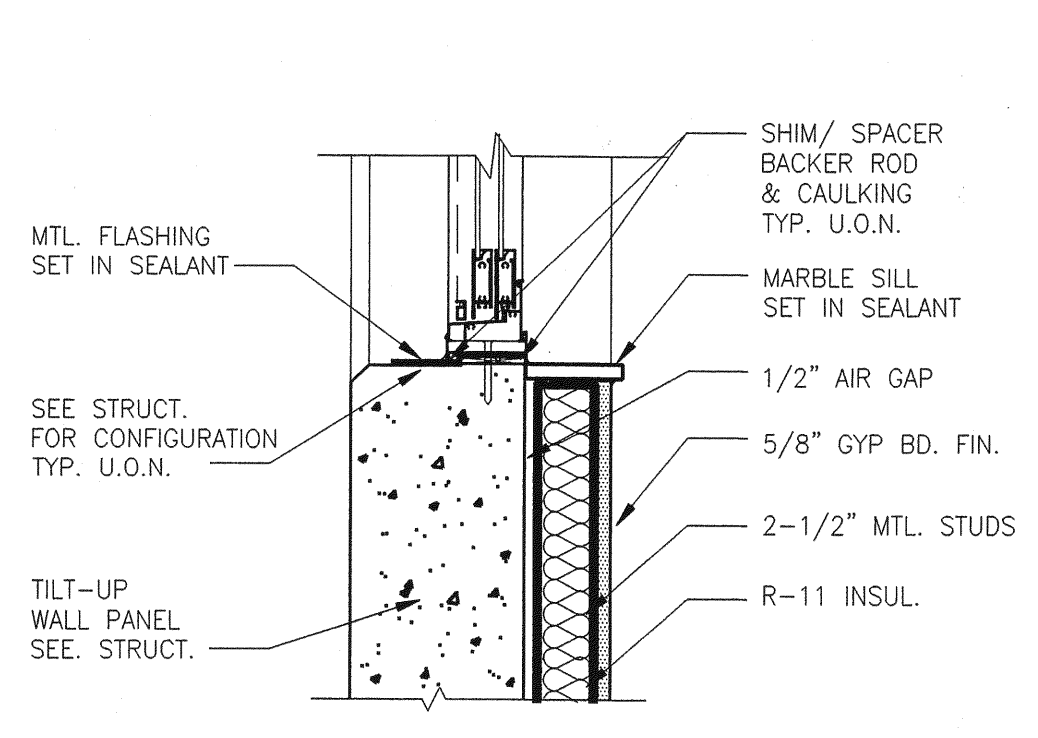
1"=1'-0" **11 FLR/CMU @ ELEVATOR EXPANSION JOINT**



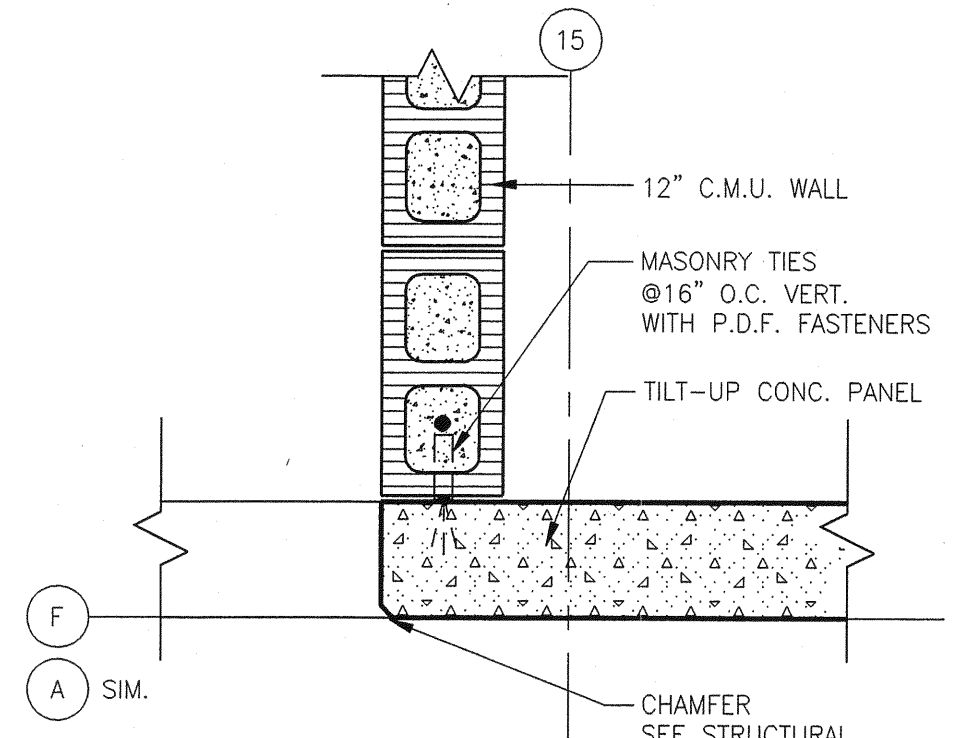
1"=1'-0" **12 FLOOR/FLOOR AT EXPANSION JOINT**



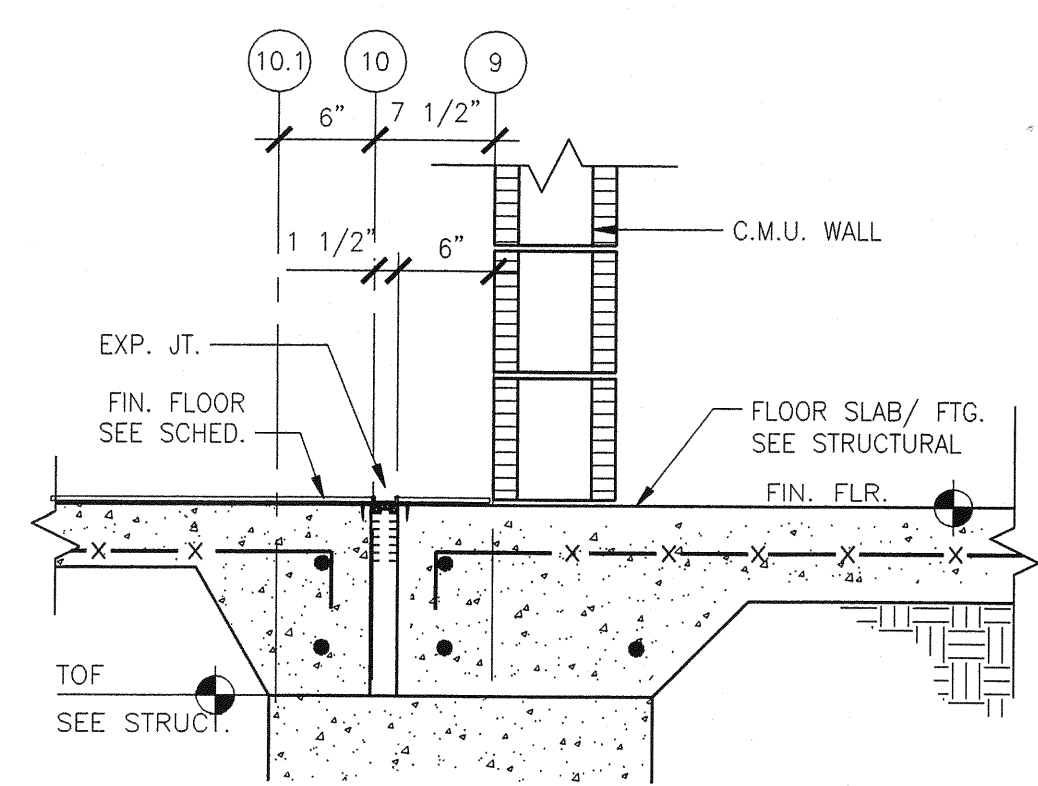
1-1/2"=1'-0" **13 HEAD DETAIL AT WIN. IN EXT. TILT WALL**



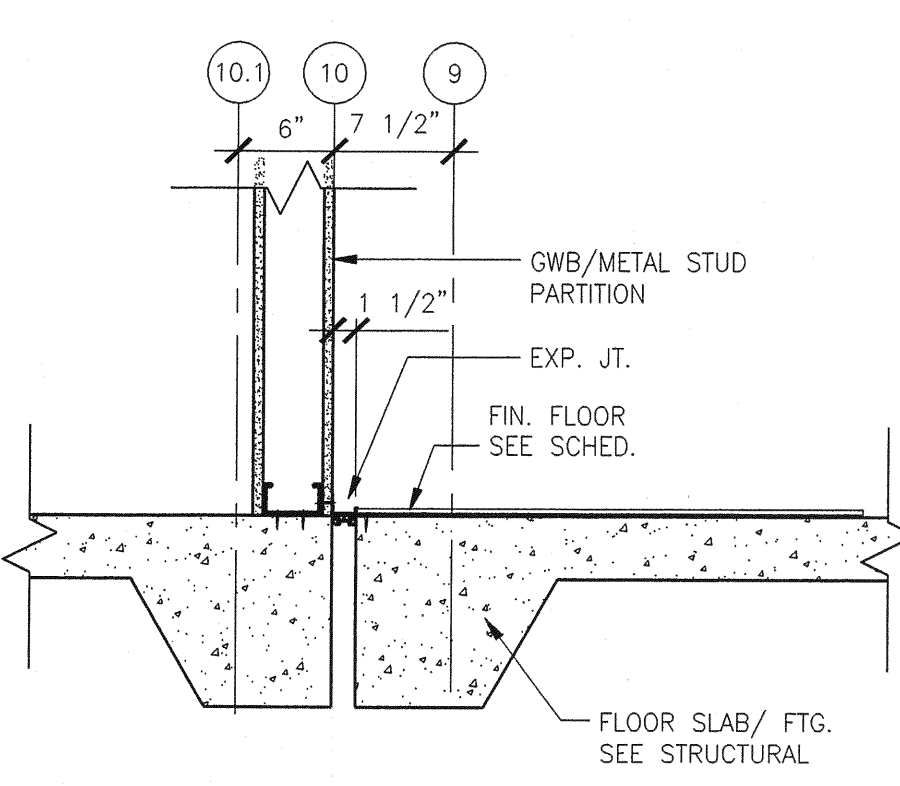
1-1/2"=1'-0" **14 SILL DETAIL AT WIN. IN EXT. TILT WALL**



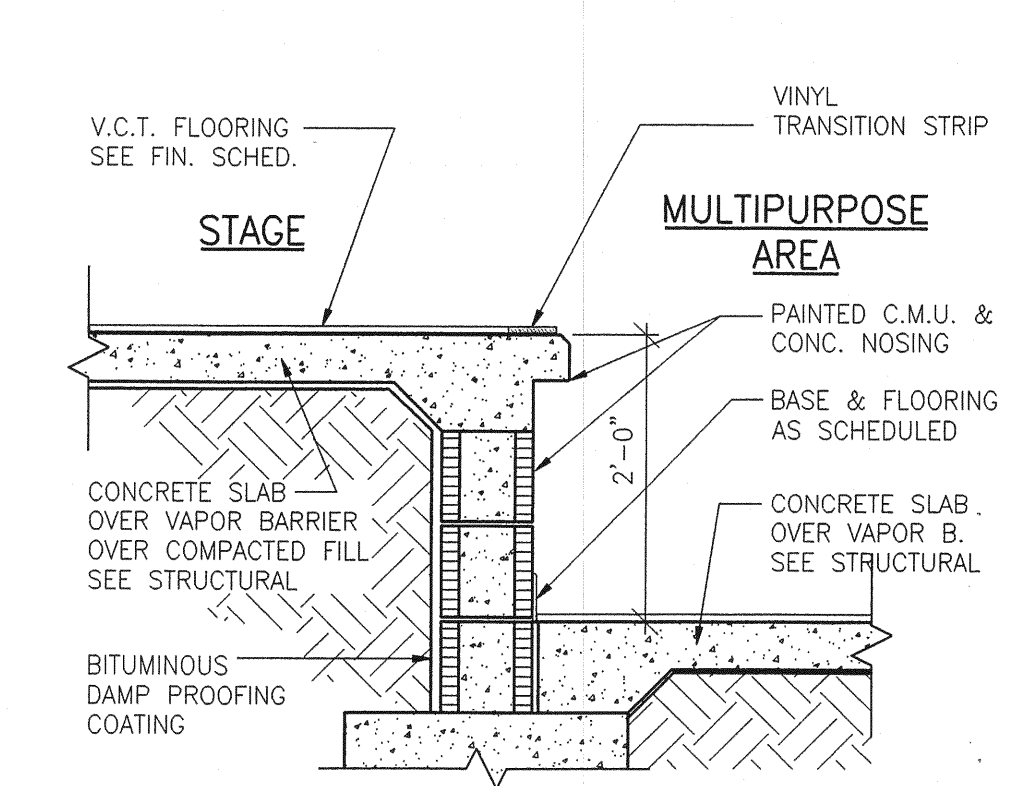
1"=1'-0" **15 CORNER DETAIL AT CMU AND TILT PANEL**



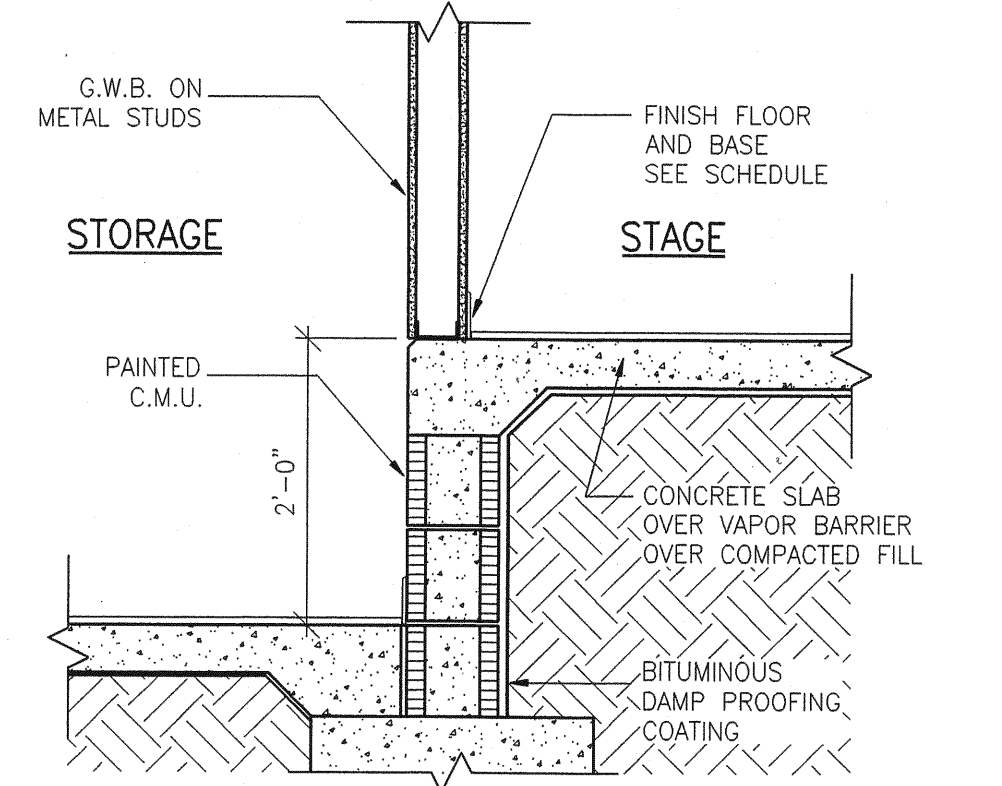
1"=1'-0" **16 FLOOR/MASONRY WALL AT EXPANSION JOINT**



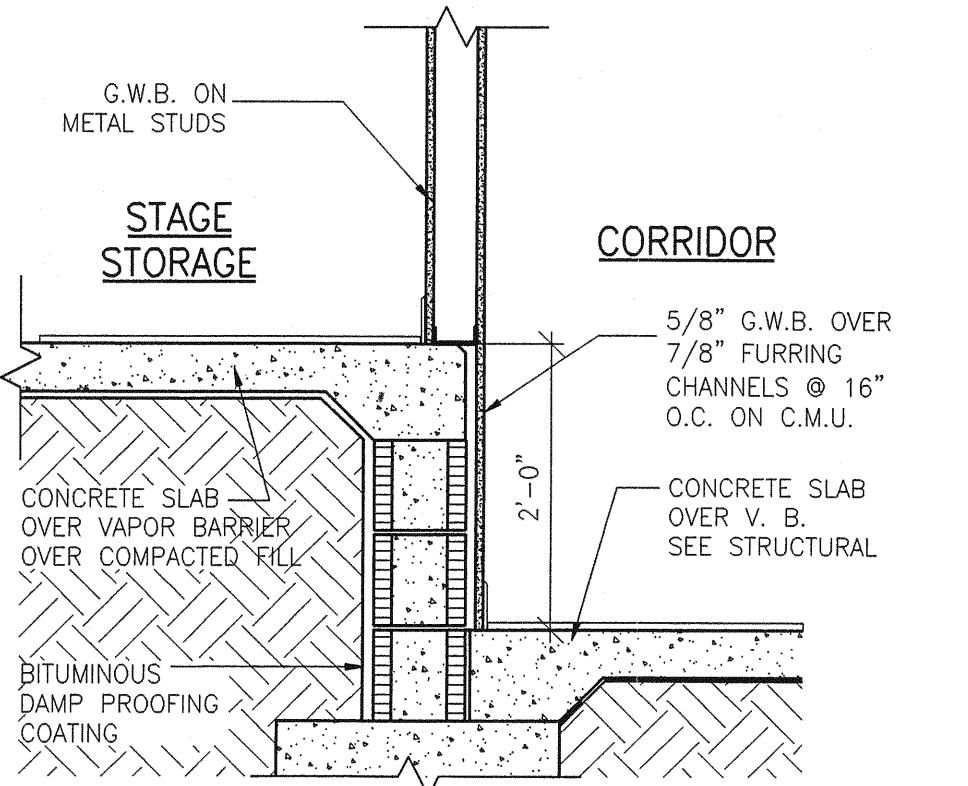
1"=1'-0" **17 FLOOR/GWB WALL AT EXPANSION JOINT**



3/4"=1'-0" **18 FRONT STAGE DETAIL**



3/4"=1'-0" **19 RAISED STAGE AREA DETAIL**



3/4"=1'-0" **20 RAISED STAGE AREA DETAIL**



SHEET TITLE

**EXPANSION JOINT  
ROOF, WALL AND  
FLOOR DETAILS**

SHEET NUMBER

**A-600**

PHASE III

100% CONST. DOCUMENT