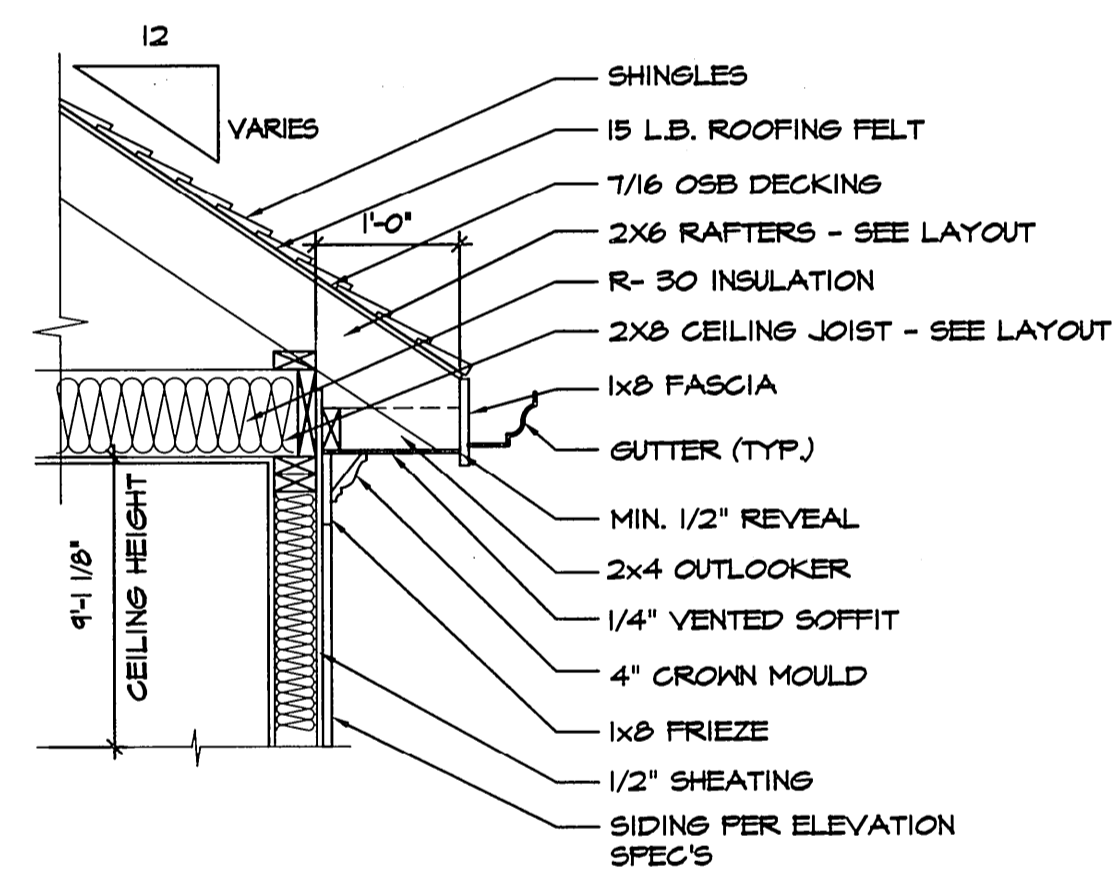


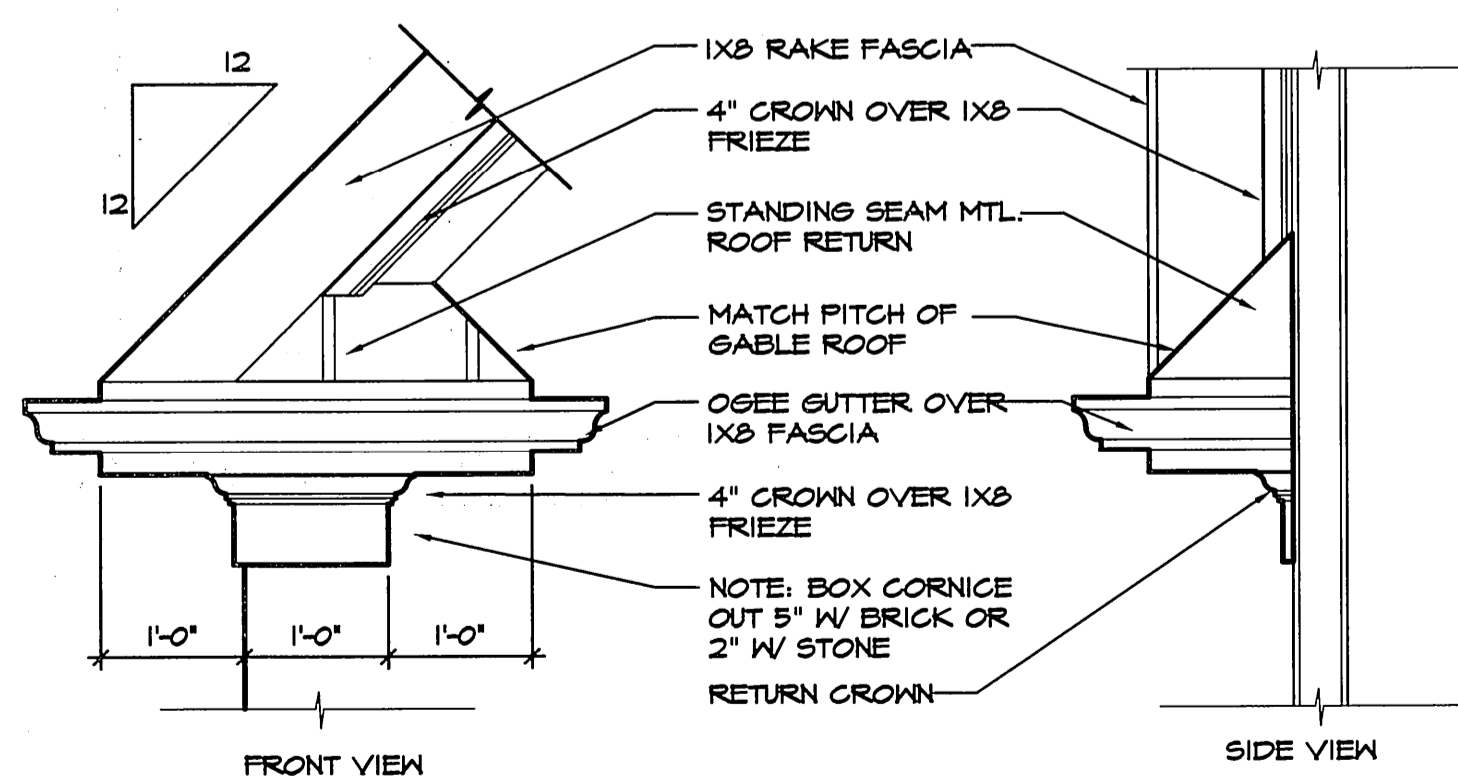
CHIMNEY CAP DETAIL

SCALE: 3/4" = 1'-0"



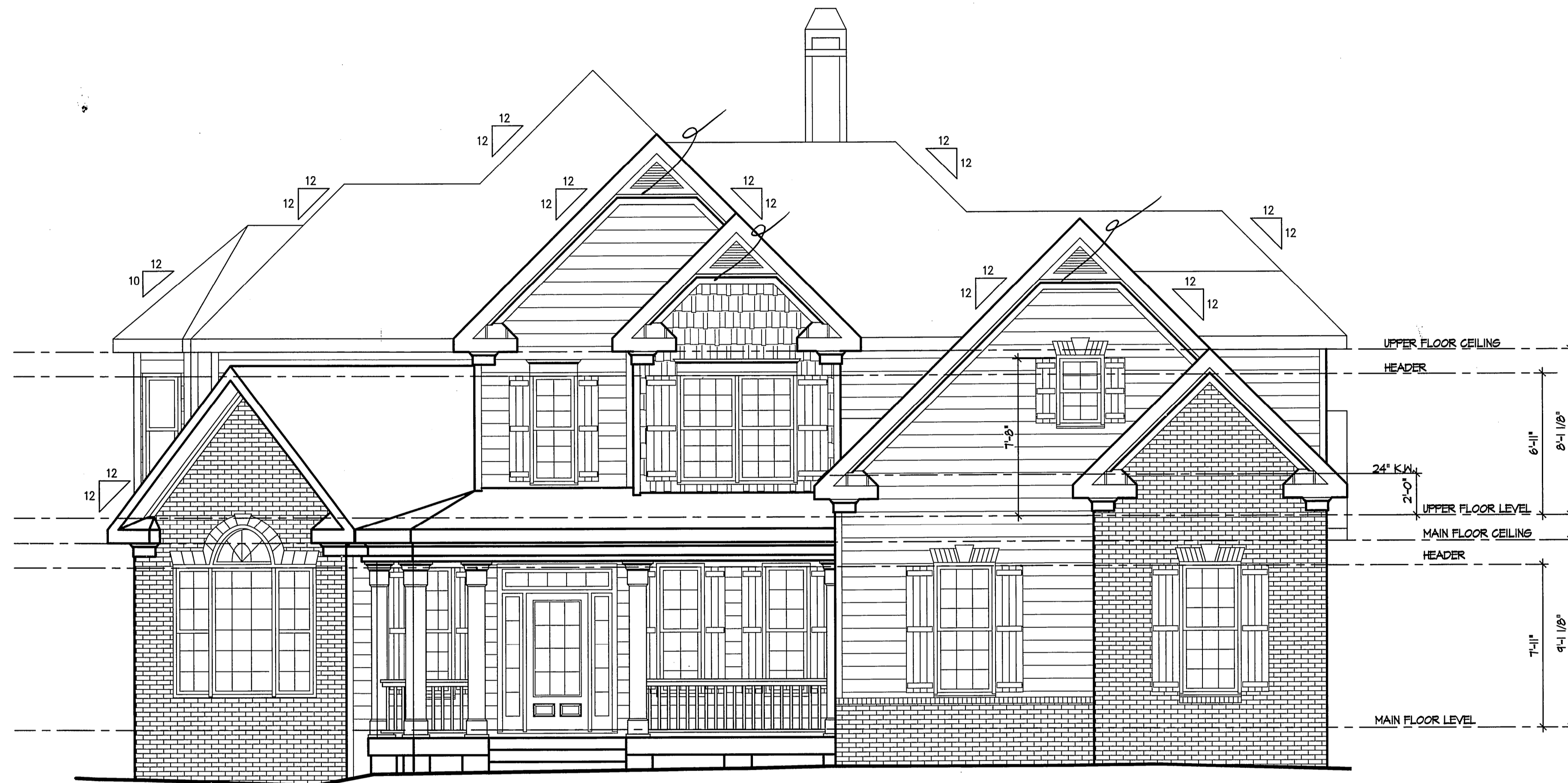
TYPICAL CORNICE DETAIL

SCALE: 3/4" = 1'-0"



ROOF RETURN DETAIL

SCALE: 3/4" = 1'-0"



FRONT ELEVATION

SCALE: 1/4" = 1'-0"

*To Do
chg post style
sizes
chg window
labors
Abbr.*

GENERAL NOTES

1. ALL WORK SHALL BE PERFORMED IN ACCORDANCE WITH ALL LOCAL CODES AND REGULATIONS.
2. DUE TO REPRODUCTION NO DIMENSION SHALL BE SCALED FROM ANY OF THESE CONSTRUCTION DOCUMENTS.
3. FOUNDATIONS AND ALL STRUCTURAL MEMBERS SHALL BE VERIFIED AND STAMPED BY AN ENGINEER REGISTERED IN THE STATE WHERE HOME IS TO BE CONSTRUCTED.
4. ALL FOOTINGS SHALL REST WITHIN UNDISTURBED SOIL.
5. BUILDER / OWNER SHALL DETERMINE AND THEREFORE ENSURE COMPATIBILITY OF OVERALL SIZE OF THIS STRUCTURE WITH ALL SITE REQUIREMENTS.

"THE BEECHWOOD"
FRONT ELEVATION & DETAILS

ORIGINAL DESIGN BY:
STREET SCAPES
197 WEST COUNTRY CLUB SQUARE SUITE 270
CHANDLER, AZ 85048

Revision:	Date:

Comm. No. 0504
Dr. By: JHJ
Date: 9/19/05
Sheet:

1

RELEASED FOR CONSTRUCTION